



# ***TETRA ACCESSORIES***

Enhancing Performance



# Contents

<b>TETRA Portable Accessories</b>	<b>3</b>
Batteries	4
Chargers	6
Earpieces	10
Remote Speaker Microphones & Headsets	12
Carry Solutions	14
In-Vehicle Solutions	16
Antennas & Cables	17
<b>TETRA Atex Accessories</b>	<b>18</b>
<b>TETRA Mobile Accessories</b>	<b>22</b>
Control Heads	23
Microphones & Handsets	24
Speakers, PTT & Specific Kits	25
Mounting Solutions	26
Antennas	27
Cables	30
<b>TETRA PDA Accessories</b>	<b>32</b>
<b>Quick Reference Guides</b>	<b>36</b>
MTH800 Quick Reference	36
MTP850 Quick Reference	38
MTP850Ex / MTP810Ex Quick Reference	40
MTM800 Quick Reference	41
MTM800 Enhanced Quick Reference	43
CM5000 Gateway Quick Reference	45
MTC100 Quick Reference	46

## TETRA Accessories

Serving the needs of commercial, government and public safety agencies, Motorola TETRA solutions deliver comprehensive, high quality and reliable integrated information and communications products and services.

At Motorola we recognise professional radio users operate under diverse operational requirements and working conditions within a highly demanding environment. To address these requirements Motorola offers a wide selection of robust and reliable accessories. This extensive portfolio of accessories allows professional users to further customise their TETRA radios and satisfy their individual communications needs.

## TETRA PORTABLE ACCESSORIES

Genuine Motorola accessories enhance functionality and add both comfort and value to your TETRA radio. They are engineered to the same exacting standards as our radios to ensure maximum performance of your complete radio solution.

For portable radio users Motorola delivers a wide range of solutions covering carrying, power and charging, as well as audio accessory solutions – for any situation.

### Energy & Charging Solutions

Critical communications solutions require reliable and efficient power sources and Motorola delivers this with a range of batteries and charging solutions. Our range includes desktop, multiway and in vehicle charging solutions, coupled with the latest in - rechargeable cell technology.

### Audio Solutions

Motorola TETRA radios give users access to a diverse range of voice services – group, telephony and individual calling. Motorola's range of audio accessories enable users to utilise these services efficiently, with tailored solutions for public safety and covert users, industrial and commercial users.

### Carrying solutions

Motorola TETRA radios offer users many new features over traditional voice two-way radio – including text messaging, sophisticated users interfaces and access to data through features such as WAP browsers. These new capabilities require carrying solutions that allow easy access to these services, such as our innovative chest-worn carry system.



MTH800

MTP850

# TETRA PORTABLE ACCESSORIES BATTERIES

**Chemistry:**  
Which chemicals store energy in this battery?

**Operational Time (hours):**  
Typical usage time of battery when fully charged

**Capacity (mAH):**  
MilliAmp Hours - standard way of measuring the energy that a battery can store

**Intelligent:** Is this an Impres smart™ battery?

**Energy Density (Wh/L):**  
Watt hours per litre (volume) - The relationship between the size and energy contained in the battery. The higher the number, the more energy for the battery size

**Operating Temperature Range:** Temperature range in which the battery will work when charged

**Requires Maintenance:**  
Battery life and performance can be increased for some battery chemistries by using a battery maintenance system

**Number of Charge Cycles:**  
Typical number of times in it's lifetime that the battery can be charged

ACCESSORY			RADIO COMPATIBILITY		FEATURES											END USER REQUIREMENTS		
Category	Description	Part number	MTH800	MTP850	Chemistry	Capacity (mAH)	Operational Time (hours) 5/5/90 Duty Cycle	Operational Time (hours) 5/35/60 Duty Cycle	No. of Charge Cycles	Dimensions LxWxD (mm)	Weight (g)	Energy Density (Wh/L) Watt hours per litre (volume)	Intelligent	Memory Effect	Requires Maintenance	Robustness	Ease of Use	Efficiency
Batteries	Extended Battery, requires separate battery cover	NNTN6923A *	●		Lilon	1500	> 20	> 16	400	58 x 36 x 12	35	259	No	No	No	●	●	●
	Replacement Battery Cover for 1500 mAH battery NNTN4655B and NNTN6923A	0188809V59	●		NA	NA	NA	NA	NA	NA	NA	NA	NA	NA	NA		●	
	Replacement Battery Cover for 800 mAH battery SNN5705C and NNTN6922A	0188809V58	●		NA	NA	NA	NA	NA	NA	NA	NA	NA	NA	NA		●	
	Integrated Slim Battery (English label)	FTN6573A		●	Lilon	950	> 10	> 8	400	76 x 45 x 8	40	131	No	No	No	●	●	●
	Integrated Slim Battery (Chinese label)	FTN6573AC		●	Lilon	950	> 10	> 8	400	76 x 45 x 8	40	131	No	No	No	●	●	●
	Integrated Slim Battery (Korean label)	FTN6573AK		●	Lilon	950	> 10	> 8	400	76 x 45 x 8	40	131	No	No	No	●	●	●
	Integrated Extended Battery (English label)	FTN6574B		●	Lilon	1850	> 20	> 16	400	76 x 45 x 12	60	165	No	No	No	●	●	●
	Integrated Extended Battery (Chinese label)	FTN6574BC		●	Lilon	1850	> 20	> 16	400	76 x 45 x 12	60	165	No	No	No	●	●	●
	Integrated Extended Battery (Korean label)	FTN6574BK		●	Lilon	1850	> 20	> 16	400	76 x 45 x 12	60	165	No	No	No	●	●	●

\* NNTN6923A replaces NNTN6922A, SNN5705C and NNTN4655B



# TETRA PORTABLE ACCESSORIES CHARGERS

**Chemistry:** Which battery chemistries does this charger support?

**Number of Pockets:** How many batteries can be charged simultaneously?

**Maintenance System:** Can this charger also be used to maintain batteries?

**Operating Voltage AC:** What mains voltage is required for this charger to operate?

ACCESSORY			RADIO COMPATIBILITY		FEATURES									END USER REQUIREMENTS		
Category	Description	Part number	MTH800	MTP850	Chemistry	No. of Pockets	Maximum No of Radios charging at one time*	Maximum No of batteries charging at one time*	Operating Voltage AC	Plug Type	Dimensions HxWxD (mm)	Weight (kg)	Maintenance System	Robustness	Ease of Use	Efficiency
Chargers	Dual Pocket Desktop Charger base	FTN6306C	●		Lilon	2	1	1	NA	NA	35 x 75 x 100	0.03	No		●	
	Replacement Insert for dual pocket desktop charger FTN6306C	1587845S02	●		NA	NA	NA	NA	NA	NA	NA	NA	NA		●	
	Dual Pocket Desktop Charger base	FTN6575A		●	Lilon	2	1	1	NA	NA	40 x 80 x 115	0.05	No		●	
	Travel Charger Kit (includes Euro and UK adapters)	WALN4092A	●	●	Lilon	NA	1	NA	100-240V	Euro and UK	40 x 50 x 70	0.25	No		●	
	Travel Charger Kit (includes China adapter)	RLN5892A	●	●	Lilon	NA	1	NA	100-240V	China	40 x 50 x 70	0.25	No		●	
	Travel Charger Kit (includes Korea adapter)	NPN6443A		●	Lilon	NA	1	NA	100-240V	Korea	40 x 50 x 70	0.25	No		●	
	Travel Charger Kit (includes Argentina adapter)	NNTN5842A	●	●	Lilon	NA	1	NA	100-240V	Argentina	40 x 50 x 70	0.25	No		●	
	Travel charger Power supply only (US plug) (for Australia only order NNTN7558A)	NNTN4250D / NNTN7558A for Australia	●	●	Lilon	NA	1	NA	100-240V	US	40 x 50 x 70	0.25	No		●	
	Plug adapter Euro for travel charger NNTN4250D	SYN7456A	●	●	NA	NA	NA	NA	100-240V	Euro	NA	NA	NA		●	
	Plug adapter UK for travel charger NNTN4250D	SYN7455A	●	●	NA	NA	NA	NA	100-240V	UK	NA	NA	NA		●	
	Plug adapter Korea for travel charger NNTN4250D	SYN7460A		●	NA	NA	NA	NA	100-240V	Korea	NA	NA	NA		●	
	Plug adapter Australian/New Zealand for travel charger NNTN4250D	SYN8127A		●	NA	NA	NA	NA	100-240V	Australia / New Zealand	NA	NA	NA		●	
	Plug adapter Argentina for travel charger NNTN4250D	SYN8039A	●	●	NA	NA	NA	NA	100-240V	Argentina	NA	NA	NA		●	
	Multi-Unit charger 6 way Radio pocket Euro Line cord	NNTN6900A		●	Lilon	6	6	0	100-240V	Euro	70 x 440 x 180	2	No	●		●
	Multi-Unit charger 6 way Radio pocket UK Line cord	NNTN6901A		●	Lilon	6	6	0	100-240V	UK	70 x 440 x 180	2	No	●		●
	Multi-Unit charger 6 way Radio pocket Korea Line cord	NNTN6899A		●	Lilon	6	6	0	100-240V	Korea	70 x 440 x 180	2	No	●		●
Multi-Unit charger 6 way Radio pocket Australia Line cord	NNTN6903A		●	Lilon	6	6	0	100-240V	Australia	70 x 440 x 180	2	No	●		●	
Multi-Unit charger 6 way Radio pocket Argentina Line cord	NNTN6902A		●	Lilon	6	6	0	100-240V	Argentina	70 x 440 x 180	2	No	●		●	

\* Radio and Battery inserts can be interchanged and mixed on the same charger base (e.g. 3 radio pockets and 3 battery pockets on each charger base)





# TETRA PORTABLE ACCESSORIES CHARGERS

**Chemistry:** Which battery chemistries does this charger support?

**Number of Pockets:** How many batteries can be charged simultaneously?

**Maintenance System:** Can this charger also be used to maintain batteries?

**Operating Voltage AC:** What mains voltage is required for this charger to operate?

Category	ACCESSORY		RADIO COMPATIBILITY		FEATURES									END USER REQUIREMENTS			
	Description	Part number	MTH800	MTP850	Chemistry	No. of Pockets	Maximum No of Radios charging at one time*	Maximum No of batteries charging at one time*	Operating Voltage AC	Plug Type	Dimensions HxWxD (mm)	Weight (kg)	Maintenance System	Robustness	Ease of Use	Efficiency	
Chargers	Multi-Unit charger 6 way Radio pocket US Line cord	NNTN6904A	●		Lilon	6	6	0	100-240V	US	70 X 440 X 180	2	No	●		●	
	Multi-Unit charger 6 way Battery pocket Euro Line cord	NNTN6908A	●		Lilon	6	0	6	100-240V	Euro	70 X 440 X 180	2	No	●		●	
	Multi-Unit charger 6 way Battery pocket UK Line cord	NNTN6907A	●		Lilon	6	0	6	100-240V	UK	70 X 440 X 180	2	No	●		●	
	Multi-Unit charger 6 way Battery pocket Korea Line cord	NNTN6906A	●		Lilon	6	0	6	100-240V	Korea	70 X 440 X 180	2	No	●		●	
	Multi-Unit charger 6 way Battery pocket Australia Line cord	NNTN6909A	●		Lilon	6	0	6	100-240V	Australia	70 X 440 X 180	2	No	●		●	
	Multi-Unit charger 6 way Battery pocket Argentina Line cord	NNTN6910A	●		Lilon	6	0	6	100-240V	Argentina	70 X 440 X 180	2	No	●		●	
	Multi-Unit charger 6 way Battery pocket US Line cord	NNTN6911A	●		Lilon	6	0	6	100-240V	US	70 X 440 X 180	2	No	●		●	
	Interchangeable Radio Pocket Insert (x 1) *	NNTN6845A	●		Lilon	1	NA	NA	NA	NA	NA	NA	NA	NA		●	●
	Interchangeable Battery Pocket Insert (x 1) *	NNTN6846A	●		Lilon	1	NA	NA	NA	NA	NA	NA	NA	NA		●	●
	Multi-Unit Charger Wall Mount Bracket	NNTN6844A	●		NA	NA	NA	NA	NA	NA	NA	NA	NA	NA		●	●
	Multi-Unit charger 6 way Radio pocket UK line cord	NNTN6912A	●		Lilon	6	6	0	100-240V	UK	70 X 440 X 180	2	No	●		●	
	Multi-Unit charger 6 way Battery pocket UK line cord	NNTN6916A	●		Lilon	6	0	6	100-240V	UK	70 X 440 X 180	2	No	●		●	
	Multi-Unit charger 6 way Radio pocket Euro line cord	NNTN6913A	●		Lilon	6	6	0	100-240V	Euro	70 X 440 X 180	2	No	●		●	
	Multi-Unit charger 6 way Battery pocket Euro line cord	NNTN6918A	●		Lilon	6	0	6	100-240V	Euro	70 X 440 X 180	2	No	●		●	
	Multi-Unit charger 6 way Radio pocket US line cord	NNTN6915A	●		Lilon	6	6	0	100-240V	US	70 X 440 X 180	2	No	●		●	
	Multi-Unit charger 6 way Battery pocket US line cord	NNTN6920A	●		Lilon	6	0	6	100-240V	US	70 X 440 X 180	2	No	●		●	
	Multi-Unit charger 6 way Radio pocket Argentinian line cord	NNTN6914A	●		Lilon	6	6	0	100-240V	Argentina	70 X 440 X 180	2	No	●		●	
	Multi-Unit charger 6 way Battery pocket Argentinian line cord	NNTN6919A	●		Lilon	6	0	6	100-240V	Argentina	70 X 440 X 180	2	No	●		●	
	Multi-Unit charger 6 way Radio pocket Korean line cord	NNTN6899A	●		Lilon	6	6	0	100-240V	Korea	70 X 440 X 180	2	No	●		●	
	Multi-Unit charger 6 way Battery pocket Korean line cord	NNTN6917A	●		Lilon	6	0	6	100-240V	Korea	70 X 440 X 180	2	No	●		●	
Multi-Unit charger 6 way Radio pocket Chinese line cord	NNTN6998A	●		Lilon	6	6	0	100-240V	China	70 X 440 X 180	2	No	●		●		
Multi-Unit charger 6 way Battery pocket Chinese line cord	NNTN6999A	●		Lilon	6	0	6	100-240V	China	70 X 440 X 180	2	No	●		●		
Interchangeable Radio Pocket Insert (x1)*	NNTN7006A	●		Lilon	1	NA	NA	100-240V	NA	70 X 440 X 180	2	No	●	●	●		
Interchangeable Battery Pocket Insert (x1)*	NNTN7007A	●		Lilon	1	NA	NA	100-240V	NA	70 X 440 X 180	2	No	●	●	●		

\* Radio and Battery inserts can be interchanged and mixed on the same charger base (e.g. 3 radio pockets and 3 battery pockets on each charger base)



# TETRA PORTABLE ACCESSORIES

## EARPIECES

**Operation:** Can the accessory be used to transmit and/or receive a voice message?

**PTT:** Does the accessory have an integrated push-to-talk (PTT) button, negating use of the radio PTT?

**VOX Capability:** Can a message be sent without the user pressing the PTT button on the radio or accessory (when VOX is supported by the radio)?

Category	ACCESSORY Description	Part number	RADIO COMPATIBILITY		FEATURES			END USER REQUIREMENTS			
			MTH800	MTP850	Operation	PTT	Vox Capability	Robustness	Ease of Use	Efficiency	
Shoulder Worn Radio Earpiece	1 Wire Earpiece, D-shell, Large, short cable, 2.5mm jack, black	PMLN5140A	•	•	Receive only	No	No	•	•		
	1 Wire Earpiece, D-shell, Small, short cable, 2.5mm jack, black	PMLN5147A	•	•	Receive only	No	No	•	•		
	1 Wire Surveillance Kit with Quick Disconnect clear voicetube, 2.5mm jack, short black cord	PMLN5139A	•	•	Receive only	No	No	•	•		
	1 Wire Surveillance Kit with Quick Disconnect clear voicetube, 2.5mm jack, short beige cord	PMLN5145A	•	•	Receive only	No	No	•	•		
Belt Worn Radio Earpieces	2 Wire Surveillance Kit, 2.5 mm jack, black (Can be used in conjunction with acoustic tube PMLN4605A)	FTN6707A	•	•	Receive & Transmit	PTT combined with mic	No	•	•	•	
	3 Wire Surveillance Kit with Quick Disconnect clear voicetube, 2.5mm jack, beige	PMLN5141A	•	•	Receive & Transmit	Separate mic and barrel PTT	No	•	•	•	
	3 Wire Surveillance Kit with Quick Disconnect clear voicetube, 2.5mm jack, black	PMLN5143A	•	•	Receive & Transmit	Separate mic and barrel PTT	No	•	•	•	
	Earbud, Personal Handsfree Kit, 2.5mm jack, black	FTN6583A	•	•	Receive & Transmit	In line PTT	No	•	•		
	D-shell, Large, Personal Handsfree Kit, 2.5mm jack, black	PMLN5271A	•	•	Receive & Transmit	In line PTT	No	•	•	•	
	D-shell, Small, Personal Handsfree Kit, 2.5mm jack, black	PMLN5272A	•	•	Receive & Transmit	In line PTT	No	•	•	•	
	Replacement Low Noise Kit for use with Surveillance Kits (black) FTN6595A, FTN6596A, replaces NTN8371A	RLN6232A	•	•	NA	No	NA	•	•		
	Replacement Extreme Noise Kit for use with Surveillance Kits (black) FTN6595A, FTN6596A, replaces NTN8370A	RLN6230A	•	•	NA	No	NA	•	•		
	Beige Replacement earphone element for Quick Disconnect Surveillance Kits PMLN5141A, PMLN5145A	PMLN5177A	•	•	NA	No	NA	•	•		
	Black Replacement earphone element for Quick Disconnect Surveillance Kits PMLN5139A, PMLN5143A	PMLN5178A	•	•	NA	No	NA	•	•		
	Replacement Low Noise Quick Disconnect Adapter, Tube and Eartip Assembly for Surveillance Kits (black), PMLN5139A, PMLN5143A. Earphone element not included.	PMLN5414A	•	•	NA	No	NA	•	•		
	Replacement Low Noise Quick Disconnect Adapter, Tube and Eartip Assembly for Surveillance Kits (beige), PMLN5141A, PMLN5145A. Earphone element not included.	PMLN5415A	•	•	NA	No	NA	•	•		
	Replacement Quick Disconnect Acoustic Tube	RLN6242A	•	•	NA	No	NA	•	•		
	Acoustic Clear Tube for use with 2 wire surveillance kit FTN6707A	PMLN4605A	•	•	NA	No	No	•	•	•	
	Miscellaneous	Motorola branded bag, nylon, black (can contain personal audio earpiece kits)	5666532A01	•	•	NA	NA	NA	•	•	•



PMLN5139A



FTN6707A



PMLN5147A



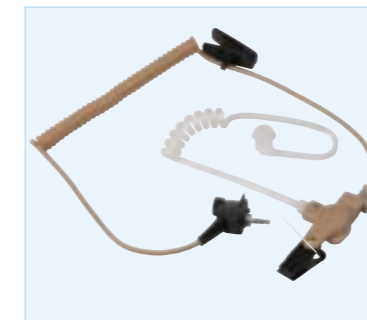
FTN6583A



PMLN5140A



PMLN5272A



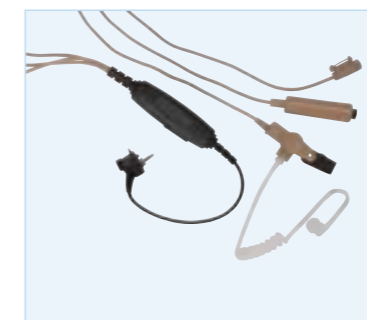
PMLN5145A



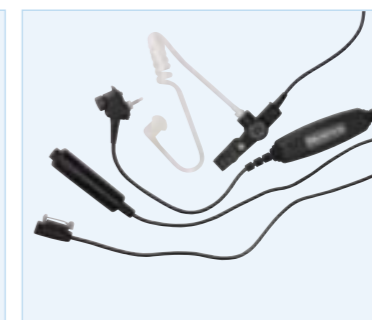
PMLN4605A



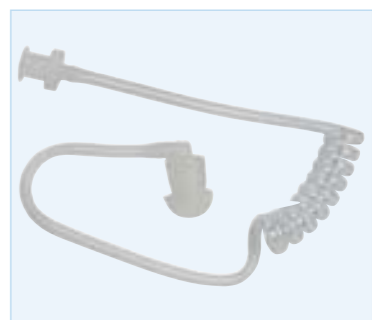
5666532A01



PMLN5141A



PMLN5143A



RLN6242A

# TETRA PORTABLE ACCESSORIES

## REMOTE SPEAKER MICROPHONES & HEADSETS

**Operation:** Can the accessory be used to transmit and/or receive a voice message?

**PTT:** Does the accessory have an integrated push-to-talk (PTT) button, negating use of the radio PTT?

ACCESSORY			RADIO COMPATIBILITY		FEATURES					END USER REQUIREMENTS		
Category	Description	Part number	MTH800	MTP850	Operation	RSM Earpiece Connection / Audio Jack	PTT	Noise Cancelling	Antenna	Robustness	Ease of Use	Efficiency
Remote Speaker Microphones	Small RSM with emergency button, attaches to radio through bottom 17 pin connector	PMMN4016A	•		Receive & Transmit	Yes	Yes	No	No	•	•	
	Small RSM with emergency button, attaches to radio through 2.5 mm side accessory connector	PMMN4015A		•	Receive & Transmit	Yes	Yes	No	No	•	•	
Associated RSM Earpieces	Earbud for use with RSMs PMMN4015A and PMMN4016A, 3.5 mm jack, black	MDRLN4885B	•	•	Receive	3.5 mm	No	No	NA			•
	Earpiece with translucent tube for use with RSM PMMN4015A and PMMN4016A, 3.5 mm jack	MDRLN4941A	•	•	Receive	3.5 mm	No	No	NA			•
	D-Shell (Large) for use with RSMs PMMN4015A and PMMN4016A, 3.5 mm jack, black	PMLN5273A	•	•	Receive	3.5 mm	No	No	NA			•
	D-Shell (Small) for use with RSMs PMMN4015A and PMMN4016A, 3.5 mm jack, black	PMLN5274A	•	•	Receive	3.5 mm	No	No	NA			•
Headset	Headset with PTT - Breeze Kit, 2.5 mm jack, black	FTN6582A	•	•	Receive & Transmit	NA	In Line PTT	No	NA		•	



# TETRA PORTABLE ACCESSORIES CARRY SOLUTIONS

**Material:** What is the accessory made of?

**Attachment:** How does the accessory attach to the user or user's clothing?

**Belt swivel:** For carry cases - does it attach to a belt clip that allows the radio to hang and move with the user?

Category	ACCESSORY Description	Part number	RADIO COMPATIBILITY		FEATURES			END USER REQUIREMENTS	
			MTH800	MTP850	Material	Belt / Shoulder Attachment	Belt/ Shoulder Swivel	Robustness	Ease of Use
Carry Cases	Soft leather Carry Case with belt loop	RLN4891A	•		Soft leather	Belt loop	Yes	•	•
	Rugged leather Carry Case with belt loop	RLN4892A	•		Hard leather	Belt loop	Yes	•	•
	Rugged leather Carry Case with belt loop	RLN5717A		•	Hard leather	Belt loop	Yes	•	•
	Radio Holster for belt attachment	RLN5718A		•	Nylon	Belt loop	No		•
	Soft leather Carry Case with belt loop	RLN5719A		•	Soft leather	Belt loop	Yes		•
	Soft leather Carry Case with integrated belt clip	RLN5720A		•	Soft leather	Clip	No		•
Shoulder Wearing Devices	Shoulder Wearing Device with Peter Jones Klick Fast attachment - For use with Peter Jones Docks	FTN6355A	•		Plastic	Peter Jones Klick Fast Stud	Yes	•	•
	Shoulder Wearing Device with Peter Jones Klick Fast attachment - For use with Peter Jones Docks	PMLN5004A		•	Plastic	Peter Jones Klick Fast Stud	Yes	•	•
	Leather Pouch, PVC screen - for use in combination with shoulder wearing device, requires PMLN5004A	RLN5721A		•	Soft leather	Requires PMLN5004A	Yes		•
Belt Clips & Others	Belt Clip attachment bracket (for use with belt clips HLN9844A and HLN9714A)	FTN6302A	•		Plastic	Clip	No	•	•
	Spring Belt Clip 1.5 inches (requires attachment bracket FTN6302A)	HLN9844A	•	•	Plastic	Clip	No	•	•
	Spring Belt Clip 2.5 inches (requires attachment bracket FTN6302A)	HLN9714A	•	•	Plastic	Clip	No	•	
	Wrist Strap	HLN9767B	•	•	Nylon	NA	NA		•
	Shoulder Strap for carry cases	NTN5243A	•	•	Nylon	NA	NA		•
	Replacement Swivel Belt Loop	RLN5722A	•	•	Hard leather	Belt loop	Yes	•	•
Peter Jones Carry Solutions	Replacement T-Strap for nylon Holster RLN5718A	RLN5889A		•		NA	NA		•
	Peter Jones Klick Fast Sew on Dock, Dock 06	GMDN0386A	•	•	Plastic	Peter Jones Klick Fast Dock	Yes	•	•
	Peter Jones Mounting Klick Fast Dock for RSM garment tag, DOCKRSMTAG	GMDN0445AA	•	•	Hard leather	Peter Jones Klick Fast Dock	Yes	•	•
	Peter Jones Mounting Klick Fast Dock for RSM garment tag, double tongue feature, DOCKRSMTAGBTP	GMDN0547A	•	•	Hard leather	Peter Jones Klick Fast Dock	Yes	•	•
	Peter Jones Klick Fast Belt Dock 50mm, Dock_03W	GMLN4488A	•	•	Plastic	Peter Jones Klick Fast Dock	Yes	•	•
	Peter Jones Klick Fast Trousers Belt Dock for 38 mm belt, Dock 02	GMDN0497A	•	•	Plastic	Peter Jones Klick Fast Dock	Yes	•	•
	Peter Jones Klick Fast Retro fitting garment Dock, Dock 08	WALN4307A	•	•	Plastic	Peter Jones Klick Fast Dock	Yes	•	•
	Peter Jones Klick Fast 50mm short leather Belt Loop with mounting dock, DOCK 05BL	GMDN0566AC	•	•	Hard leather	Peter Jones Klick Fast Dock	Yes	•	•
	Peter Jones Soft canvas Case with Klick Fast stud, PVC screen and 50 mm belt Dock, Dock 03 RMTH650P1KFCAN	GMDN0445AB		•	Canvas	Peter Jones Klick Fast Stud	Yes		•
	Peter Jones Soft leather Case with Klick Fast stud, PVC screen and 38mm belt Dock, Dock 02 RMTH650P1KFD02	GMDN0548A		•	Soft leather	Peter Jones Klick Fast Stud	Yes		•
	Peter Jones Klick Fast 50mm Belt Loop with mounting Dock low hang, DOCK05BLDROP	GMDN0445AC	•	•	Hard leather	Peter Jones Klick Fast Dock	Yes	•	•
	Peter Jones Soft leather Case with Klick Fast stud, PVC screen and 38mm belt Dock	GMLN1158A		•	Soft leather	Peter Jones Klick Fast Dock	Yes		•
	Peter Jones Soft leather Case with Klick Fast stud, half PVC screen and 50 mm belt Dock, Dock 03 RMTH800P1KFWNORSM	GMDN0549A	•		Soft leather	Peter Jones Klick Fast stud	Yes		•



RLN4891A



RLN4892A



RLN5717A



RLN5718A



RLN5719A



RLN5720A



FTN6355A



PMLN5004A



RLN5721A



FTN6302A/HLN9844A



HLN9714A



HLN9767B



NTN5243A



RLN5722A



GMDN0386A



GMDN0445AA



GMDN0547A



GMDN0566AC



WALN4307A



GMDN0497A



# TETRA PORTABLE ACCESSORIES IN-VEHICLE SOLUTIONS

# TETRA PORTABLE ACCESSORIES ANTENNAS & CABLES

Category	ACCESSORY		RADIO COMPATIBILITY		FEATURES		END USER REQUIREMENTS		
	Description	Part number	MTH800	MTP850	Chemistry	Operating Voltage AC	Robustness	Ease of Use	Efficiency
In-Vehicle Chargers	Vehicle Power Adapter	FLN9469A	•	•	Lilon	12 V - 24V		•	
	Handsfree Digital Car Kit (includes cradle, junction box, external speaker, remote microphone, Velcro PTT and installation cables)	FTN6307BA	•		Lilon	12 V - 24V	•		•
	Handsfree Digital Car Kit (includes cradle, junction box, external speaker, remote microphone, Velcro PTT and installation cables)	GMLN4687A		•	Lilon	12 V - 24 V	•		•
	Cradle only for Car Kit with RF connection	GMLN4688A		•	Lilon	12 V - 24 V		•	
	Cradle only for Car Kit with RF connection	FTN6308A	•		Lilon	12 V - 24 V		•	
Associated External Antennas	External Roof Antenna - Combined Tetra and GPS 380-430 MHz (Kit includes duplexer and DC adapter)	GMAE4290A	•	•	NA			•	
	External Roof Antenna - Combined Tetra and GPS 430-470 MHz (Kit includes duplexer and DC adapter)	GMAE4293A	•		NA			•	
	External Roof Antenna - Combined Tetra and GPS 806-870 MHz (Kit includes duplexer and DC adapter)	GMAF4504A		•	NA			•	
	Replacement Duplexer Module	GMAE4264A	•	•	NA			•	
	Replacement 5V DC Adapter Converter	FTN6790A	•	•	NA			•	
	External Roof Antenna - Combined Tetra and GPS 350-390 MHz (Kit includes duplexer and DC adapter)	GMAD4500A		•					

Category	ACCESSORY		RADIO COMPATIBILITY		FREQUENCIES			
	Description	Part number	MTH800	MTP850	350-390 MHz	380-430 MHz	440-470 MHz	800-870 MHz
Antennas	Stubby Antenna 380-430MHz (with integrated GPS antenna)	8586381J10 (to be replaced by 8575280M01)	•			•		
	Whip Antenna 380-430MHz (with integrated GPS antenna)	8586381J11 (to be replaced by 8575279M01)	•	•		•		
	Stubby Antenna 440-470 MHz (with integrated GPS antenna)	8566504A02	•				•	
	Whip Antenna 440-470 MHz (with integrated GPS antenna)	8566504A01	•				•	
	Stubby Antenna 380-430MHz (with integrated GPS antenna)	8587526V14 (to be replaced by 8575278M01)		•		•		
	Stubby Antenna 350-390MHz (with integrated GPS antenna)	8566504A03		•	•			
	Whip Antenna 350-390MHz (with integrated GPS antenna)	8566504A04		•	•			
	Stubby Antenna 800-870MHz (with integrated GPS antenna)	8575277M01		•				•
	Whip Antenna 800-870MHz (with integrated GPS antenna)	8575276M01		•				•
	Stubby Antenna 380-430MHz (with integrated GPS antenna)	8575278M01		•		•		
Cables	RS232 Data Cable	PMKN4025A *	•	•				
	USB Cable	PMKN4026A **	•	•				
Miscellaneous Parts	Plastic Accessory Connector Cover (packs of 100 units)	WALN4438A	•					
	Plastic Accessory Connector Cover (packs of 100 units)	WALN4439A		•				

\* replaces FKN4897A \*\* replaces NNTN4007B





## TETRA ATEX ACCESSORIES

These tables list the accessories which are approved for use in potentially hazardous environments according to the ATEX EC DIRECTIVE 94/9/EC and the IECEx certification scheme (except where indicated otherwise, whereby the accessories are approved for use only outside potentially hazardous environments - see chargers and cables)

Genuine Motorola accessories enhance functionality and add both comfort and value to your TETRA radio. They are engineered to the same exacting standards as our radios to ensure maximum performance of your complete radio solution.

For ATEX radio users, Motorola offers a complimentary range of ATEX approved accessories for carrying, power and charging, as well as audio accessories to that deliver class leading performance in challenging environments.

### Energy & Charging Solutions

Critical communications solutions require reliable and efficient power sources and Motorola delivers this with a range of batteries and charging solutions. Our range includes desktop, multiway and in vehicle charging solutions, coupled with the latest in - rechargeable cell technology.

### Audio Solutions

Motorola TETRA radios give users access to a diverse range of voice services – group, telephony and individual calling. Motorola's range of audio accessories enable users to utilise these services efficiently, with tailored solutions for public safety and covert users, industrial and commercial users.

### Carrying solutions

Motorola TETRA radios offer users many new features over traditional voice two-way radio – including text messaging, sophisticated users interfaces and access to data through features such as WAP browsers. These new capabilities require carrying solutions that allow easy access to these services, such as our innovative chest-worn carry system.



MTP850Ex

MTP810Ex

ACCESSORY			RADIO COMPATIBILITY			
Category	Description	Part number	MTP850 Ex	MTP810 Ex	Dimensions LxWxD (mm)	Weight (g)
<b>Battery</b>	Battery Lilon 725 mAH 7.2V (12 hour operational time on 5/5/90 duty cycle)	NNTN7383A	●	●	132.8x55x17	180
	IMPRES™ Single-Unit Charger Base only	WPLN4199B	●	●	55x95x150	200
	IMPRES™ Single-Unit Charger with UK cord	WPLN4183A	●	●	55x95x150	200
	IMPRES™ Single-Unit Charger with SMPS UK AC cord*	PMLN5194A	●	●	55x95x150	200
	IMPRES™ Single-Unit Charger with SMPS EU AC cord	PMLN5188A	●	●	55x95x150	200
	IMPRES™ Single-Unit Charger with SMPS Argentina AC cord	PMLN5214A	●	●	55x95x150	200
	IMPRES™ Single-Unit Charger - US cord	WPLN4182A	●	●		
	IMPRES™ Single-Unit Charger - Australia cord	WPLN4185A	●	●		
	IMPRES™ Single-Unit Charger - Argentina cord	WPLN4186A	●	●		
	IMPRES™ Single-Unit Charger - Korea cord	NNTN7471A	●	●		
	IMPRES Single-Unit Charger with SMPS US AC cord	PMLN5198A	●	●		
	IMPRES™ Single-Unit Charger with SMPS Australia/NZ AC cord	PMLN5199A	●	●		
	IMPRES™ Single-Unit Charger with Euro Plug	WPLN4184A	●	●	55x95x150	200
<b>Chargers</b>	IMPRES™ Multi-Unit Charger, no display - US cord	WPLN4187A	●	●	152x450x300	3600
Approved by Motorola for use with MTP850Ex/ MTP810Ex only outside potentially hazardous environments	IMPRES™ Multi-Unit Charger, no display - Euro cord	WPLN4189A	●	●	152x450x300	3600
	IMPRES™ Multi-Unit Charger, no display - UK cord	WPLN4188A	●	●	152x450x300	3600
	IMPRES™ Multi-Unit Charger, no display - Australia cord	WPLN4190A	●	●		
	IMPRES™ Multi-Unit Charger, no display - Argentina cord	WPLN4191A	●	●		
	IMPRES™ Multi-Unit Charger, no display - Korea cord	WPLN4146A	●	●		
	IMPRES™ Multi-Unit Charger with display - Euro cord	WPLN4194A	●	●	152x450x300	3600
	IMPRES™ Multi-Unit Charger with display - UK cord	WPLN4193A	●	●	152x450x300	3600
	IMPRES™ Multi-Unit Charger with display - US cord	WPLN4192A	●	●		
	IMPRES™ Multi-Unit Charger with display - Australia cord	WPLN4195A	●	●		
	IMPRES™ Multi-Unit Charger with display - Argentina cord	WPLN4196A	●	●		
	IMPRES™ Multi-Unit Charger with display - Korea cord	WPLN4145A	●	●		
	IMPRES™ Multi-Unit Charger with display - Base only	WPLN4198A	●	●		
	Multi-Unit Charger with display INTL 110V	WPLN4204A	●	●	152x450x300	3600
	IMPRES™ Multi-Unit Charger, no display - Base only	WPLN4197A	●	●		
	IMPRES™ Multi-Unit charger, no display international 110V	WPLN4205A	●	●	152x450x300	3600



# TETRA ATEX ACCESSORIES

ACCESSORY			RADIO COMPATIBILITY		FEATURES				
Category	Description	Part number	MTP850 Ex	MTP810 Ex	Operation	RSM Earpiece Connection / Audio Jack	PTT	Noise Cancelling	Antenna
Remote Speaker Microphone	Remote Speaker Mic with Volume Control	PMMN4058A	•	•	Receive & Transmit	No	Yes	No	No

ACCESSORY			RADIO COMPATIBILITY		FEATURES	
Category	Description	Part number	MTP850 Ex	MTP810 Ex	Operation	PTT
Headsets	Over the Head Heavy Duty Headset	PMLN5389A	•	•	Receive & Transmit	Yes
	Behind the Head Heavy Duty Headset	PMLN5390A	•	•	Receive & Transmit	Yes
	Over the Head Lightweight Headset	PMLN5391A	•	•	Receive & Transmit	Yes
	Behind the Head Lightweight Headset	PMLN5392A	•	•	Receive & Transmit	Yes
	Throat Microphone with 80mm PTT	PMMN4063A	•	•	Receive & Transmit	Yes

ACCESSORY			RADIO COMPATIBILITY		FEATURES			
Category	Description	Part number	MTP850 Ex	MTP810 Ex	Material	Belt / Shoulder Attachment	Belt/ Shoulder Swivel	Colour
Carry Solutions	Belt Clip 2.5 inch	PMLN5134A	•	•	Plastic	Belt	No	Black
	Shoulder Wearing Device with PJ klick Fast attachment (see MTP850 Carry section)	PMLN5004A	•	•	Plastic	Shoulder	Yes	Black
	Hard Leather Case	PMLN5287A	•	•	Hard Leather	Belt	Yes	Black
	Soft Leather Case	PMLN5288A	•	•	Soft Leather	Belt	Yes	Black
	Shoulder Strap (for use with carry case)	NTN5243A	•	•	Nylon	Across Shoulder	NA	Black
Miscellaneous	Dust cover	PMLN5419A	•	•	Plastic	NA	NA	Black

ACCESSORY			RADIO COMPATIBILITY		FREQUENCIES			
Category	Description	Part number	MTP850 Ex	MTP810 Ex	350-390 MHz	380-430 MHz	440-470 MHz	800-870 MHz
Antennas	Short Stubby Antenna Integrated RF/GPS	85007012001	•	•		•		
	Medium Length Stubby Antenna Integrated RF/GPS	8587526V14	•	•		•		
	Whip Antenna (long length) Integrated RF/GPS	8575279M01	•	•		•		
Cables*	USB Data Cable	PMLN5235A	•	•				
	RS232 Data Cable	PMLN5237A	•	•				



\*Approved by Motorola for use with MTP850Ex/MTP810Ex only outside potentially hazardous environments

# TETRA MOBILE ACCESSORIES

When choosing a mobile radio solution, users need to address installation and operational requirements. Motorola's range of TETRA mobiles are supported with a comprehensive set of accessories enabling flexible in-vehicle installation or desktop use, together with audio and data solutions for the most demanding requirements.

## Audio Solutions

Motorola TETRA radios give users access to a diverse range of voice services – group, telephony and individual calling. Motorola's range of audio accessories enables users to utilise these services efficiently, with tailored solutions for public safety and covert users, industrial and commercial users.

## Installation Solutions

Motorola's TETRA Mobile range allows installation either as traditional dash mount radios, remote head installation or many other configurations – supported with an extensive range of mounting brackets, wiring harnesses and audio interfaces.



MTM800 Enhanced



CM5000 Gateway

# TETRA MOBILE ACCESSORIES CONTROL HEADS

Category	ACCESSORY Description	Part number	RADIO COMPATIBILITY			END USER REQUIREMENTS		
			MTM800	MTM800 Enhanced	CM5000 Gateway	Robustness	Ease of Use	Efficiency
<b>STANDARD CONTROL HEADS</b>								
	Standard Control Head (English keypad)	GMWN4062B	•			IP54	•	
	Data Expansion Control Head	GMCE4053B	•			IP54	•	
	Remote Mount Transceiver Cover	GMHN4080A	•			IP54	•	
	Motorcycle Control Head (English keypad)	SDLN4506A	•			IP57	•	
<b>ENHANCED CONTROL HEADS WITH COLOUR DISPLAY - ENHANCED AUDIO CONNECTOR</b>								
<b>Dash and Desk Models</b>	Dash Control Head (Roman keypad)	GMWN4298A		•		IP54	•	•
	Dash Control Head (Chinese keypad)	GMWN4299A		•		IP54	•	•
	Dash Control Head (Korean keypad)	GMWN4300A		•		IP54	•	•
	Dash Control Head (Arabic keypad)	GMWN4301A		•		IP54	•	•
	Dash Control Head (Bopomofo keypad)	GMWN4302A		•		IP54	•	•
	Dash Control Head (Cyrillic keypad)	GMWN4303A		•		IP54	•	•
<b>Remote Models</b>	Remote Mount Head (Roman keypad)	GMWN4304A		•		IP54	•	•
	Remote Mount Head (Chinese keypad)	GMWN4305A		•		IP54	•	•
	Remote Mount Head (Korean keypad)	GMWN4306A		•		IP54	•	•
	Remote Mount Head (Arabic keypad)	GMWN4307A		•		IP54	•	•
	Remote Mount Head (Bopomofo keypad)	GMWN4308A		•		IP54	•	•
	Remote Mount Head (Cyrillic keypad)	GMWN4309A		•		IP54	•	•
<b>Motorcycle Models</b>	Motorcycle Control Head (Roman keypad)	GMWN4600A		•		IP67	•	•
	Motorcycle Control Head (Chinese keypad)	GMWN4601A		•		IP67	•	•
	Motorcycle Control Head (Korean keypad)	GMWN4602A		•		IP67	•	•
	Motorcycle Control Head (Arabic keypad)	GMWN4603A		•		IP67	•	•
	Motorcycle Control Head (Bopomofo keypad)	GMWN4604A		•		IP67	•	•
	Motorcycle Control Head (Cyrillic keypad)	GMWN4605A		•		IP67	•	•
<b>Expansion Head Kits (for use with Remote or Motorcycle Models)</b>	Data Expansion Head Kit	PMLN4908B		•		IP54	•	
	Remote Mount Kit	PMLN4904B		•		IP54		



GMWN4600A



GMWN4298A



GMWN4298A



# TETRA MOBILE ACCESSORIES MICROPHONES & HANDSETS

**Operation:** Can the accessory be used to transmit and/or receive a voice message?

**PTT:** Does the accessory have an integrated push-to-talk (PTT) button, negating use of the radio PTT?

# TETRA MOBILE ACCESSORIES SPEAKERS, PTT & SPECIFIC KITS

**Operation:** Can the accessory be used to transmit and/or receive a voice message?

**PPT:** Does the accessory have an integrated push-to-talk (PTT) button, negating use of the radio PTT?

ACCESSORY			RADIO COMPATIBILITY			FEATURES			END USER REQUIREMENTS		
Category	Description	Part number	MTM800	MTM800 Enhanced	CM5000 Gateway	Operation	PTT	Volume Control	Robustness	Ease of Use	Efficiency
Microphone	Fist Microphone	GMMN4063B	•	•**	•	Transmit only	PTT	No	•	•	•
	Replacement Coiled Cord for Fist Microphone (GMMN4063B)	3066519B01	•	•	•	Repair					•
	Fist Microphone Compact (with front head connector*)	RMN5107B		•		Transmit only	PTT	No	•	•	
	Fist Microphone Heavy Duty (with front head connector*)	RMN5111A		•		Transmit only	PTT	No	•	•	
	Desk Microphone	RMN5069A	•		•	Transmit only	PTT	No			•
	Desk Microphone (with enhanced connector*)	RMN5106A		•		Transmit only	PTT	No			•
	Visor Microphone	GMMN4065B	•	•	•	Transmit only	No	No			•
Handset	Telephone style Handset	GMUN1006B	•	•**	•	Receive & Transmit	PTT	Yes			•

\* With new enhanced robust audio connector

\*\* Requires connection through junction box GMLN3002A



ACCESSORY			RADIO COMPATIBILITY			FEATURES			END USER REQUIREMENTS			
Category	Description	Part number	MTM800	MTM800 Enhanced	CM5000 Gateway	Operation	PTT	Volume Control	Dimensions H x W x D (mm)	Robustness	Ease of Use	Efficiency
Loudspeakers	Large External Speaker 13 Watts	GMSN4066A	•	•	•	Receive only	No	No	120 x 125 x 60	•	•	
	Small External Speaker 5 Watts	GMSN4078B	•	•	•	Receive only	No	No	50 x 80 x 60		•	
	Speaker Extension Cable	GMKN4084A	•	•	•	Installation	NA	NA	5 m			•
Push-To-Talk & Specific Kits	PTT Pushbutton (with Velcro attachment)	RLN4857A	•	•	•	Transmit (requires separate mic)	Yes	NA	NA		•	
	Gooseneck PTT	RLN4858A	•	•	•	Transmit (requires separate mic)	Yes	NA	NA			•
	External Alarm Relay	GKN6272A	•	•	•	Alarm trigger	NA	NA	NA			•
	Buzzer Kit	GLN7282A	•	•	•	Buzzer	NA	NA	NA			•
	Accessory Connection Kit	GMBN1021A	•	•	•	Installation	NA	NA	NA		•	

# TETRA MOBILE ACCESSORIES MOUNTING SOLUTIONS

# TETRA MOBILE ACCESSORIES ANTENNAS

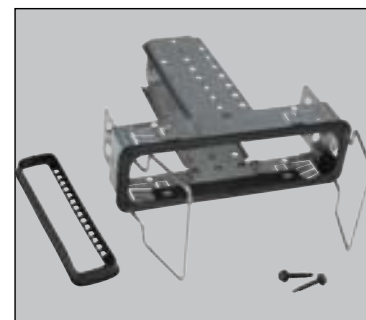
ACCESSORY			RADIO COMPATIBILITY			END USER REQUIREMENTS		
Category	Description	Part number	MTM800	MTM800 Enhanced	CM5000 Gateway	Robustness	Ease of Use	Efficiency
Transceiver Installation *	High Profile Mounting Trunnion	GLN7317A	•	•	•		•	
	Low Profile Mounting Trunnion	GLN7324A	•	•	•		•	
	Din Mount Frame for radio chassis	RLN4781A	•				•	
	Key lock mount	RLN4779A	•	•	•			•
	Desktop tray - Without loudspeaker	GLN7318A	•	•	•	•	•	
	Desktop tray - With loudspeaker	GLN7326A	•	•	•	•	•	
	CM5000 Control Head Din mount	GMLN4740A			•		•	
	CM5000 Universal Din mount	GMLN5035A			•		•	
	Dual Mode Adaptor	GMLN4742A			•			•
	Remote mount kit	GMLN4741A			•			•
Trunnions for Enhanced Control Heads *	Remote Mount Trunnion kit	PMLN4912A		•			•	
	Din Trunnion (for installation with Din Mount frame PMLN5094A)	PMLN5093A		•			•	
	Din Mount Frame	PMLN5094A		•			•	
	Motorcycle Control Head Trunnion	PMLN5092A		•			•	



GLN7317A



GLN7324A



RLN4781A



RLN4779A



GLN7318A



GLN7326A

Category	Description	Part number	RADIO COMPATIBILITY			FREQUENCIES			
			MTM800	MTM800 Enhanced	CM5000 Gateway	350-390 MHz	380-430 MHz	410-470 MHz	800-870 MHz
GPS only Antenna Kits	Antenna GPS Panel Mount	GMAG4251A	•	•	•	NA	NA	NA	NA
	Antenna GPS Magnetic Mount	GMAG4252A	•	•	•	NA	NA	NA	NA
Combined Tetra and GPS Antenna Kits	Antenna Combined Tetra and GPS 350 MHz	GMAE4493A	•	•		•			
	Antenna Combined Tetra and GPS 380 - 430 MHz	GMAE4248A	•	•	•		•		
	Antenna Combined Tetra and GPS 380 - 400 MHz	GMAE4249A	•	•	•		•		
	Antenna Combined Tetra and GPS 400 - 430 MHz	GMAE4250A	•	•	•		•		
	Antenna Combined Tetra and GPS 430 - 470 MHz	GMAE4269A	•	•				•	
	Antenna Combined Tetra and GPS 800 MHz	GMAF4408A	•	•					•
	Antenna Glass Mount 350 MHz	GMAD4494A	•	•		•			
Tetra only Antenna Kits	Antenna Panel Mount 350 MHz	GMAD4495A	•	•		•			
	Antenna Magnetic Mount 350 MHz	GMAD4496A	•	•		•			
	Antenna Covert 350 MHz	GMAD4497A	•	•		•			
	Antenna Low Profile 350 MHz	GMAD4503A	•	•		•			
	Antenna Wall Mount 350 MHz	GMAD4498A	•	•		•			
	Antenna Motorcycle 350 MHz	GMAD4499A	•	•		•			
	Antenna Glass Mount 380 - 400 MHz	GMAE4253A	•	•	•		•		
	Antenna Glass Mount 410 - 430 MHz	GMAE4254A	•	•	•		•		
	Antenna Panel Mount 380 - 430 MHz	GMAE4255A	•	•	•		•		
	Antenna Magnetic Mount 380 - 400 MHz	GMAE4256A	•	•	•		•		
	Antenna Magnetic Mount 410 - 430 MHz	GMAE4257A	•	•	•		•		



GMAE4493A



GMAE4248A



GMAE4269A



GMAF4408A

# TETRA MOBILE ACCESSORIES

## ANTENNAS

ANTENNA			RADIO COMPATIBILITY			FREQUENCIES			
Category	Description	Part number	MTM800	MTM800 Enhanced	CM5000 Gateway	350-390 MHz	380-430 MHz	410-470 MHz	800-870 MHz
Tetra only Antenna Kits	Antenna Covert 380 - 400 MHz	GMAE4258A	●	●	●		●		
	Antenna Covert 410 - 430 MHz	GMAE4259A	●	●	●		●		
	Antenna Low Profile 380 - 400 MHz	GMAE4260A	●	●	●		●		
	Antenna Low Profile 410 - 430 MHz	GMAE4261A	●	●	●		●		
	Antenna Wall Mount 380 - 400 MHz	GMAE4262A	●	●	●		●		
	Antenna Wall Mount 410 - 430 MHz	GMAE4263A	●	●	●		●		
	Antenna Motorcycle 380 - 400 MHz	GMAE4266A	●	●	●		●		
	Antenna Motorcycle 410 - 430 MHz	GMAE4267A	●	●	●		●		
	Antenna Glass Mount 450 - 470 MHz	GMAE4270A	●	●				●	
	Antenna Panel Mount 430 - 470 MHz	GMAE4271A	●	●				●	
	Antenna Magnetic Mount 430 - 470 MHz	GMAE4272A	●	●				●	
	Antenna Covert 430 - 470 MHz	GMAE4273A	●	●				●	
	Antenna Low Profile 450 - 470 MHz	GMAE4274A	●	●				●	
	Antenna Wall Mount 430 - 470 MHz	GMAE4275A	●	●				●	
	Antenna Motorcycle 430 - 470 MHz	GMAE4268A	●	●				●	
	Antenna Glass Mount 800 MHz	GMAF4409A	●	●					●
	Antenna Glass Mount 3dB 800MHz	GMAF4410A	●	●					●
	Antenna Eurobase 800 MHz	GMAF4411A	●	●					●
	Antenna Magnetic Mount 800 MHz	GMAF4412A	●	●					●
	Antenna Magnetic Mount 3dB 800 MHz	GMAF4413A	●	●					●
	Antenna Covert 800 MHz	GMAF4414A	●	●					●
	Antenna Low Profile 800 MHz	GMAF4415A	●	●					●
	Antenna Wall Mount 800 MHz	GMAF4416A	●	●					●
	Antenna Motorcycle 800 MHz	GMAF4417A	●	●					●
	Antenna Roof Mount Mini-UHF Connector 800 MHz	HAF4002A	●	●					●

ANTENNA			RADIO COMPATIBILITY			FREQUENCIES			
Category	Description	Part number	MTM800	MTM800 Enhanced	CM5000 Gateway	350-390 MHz	380-430 MHz	410-470 MHz	800-870 MHz
Tetra Antenna Base only (select separately Antenna Element below)	Antenna Mount Panel	GMLN4276A	●	●	●	NA	NA	NA	NA
	Antenna Mount Panel	GMLN4277A	●	●	●	NA	NA	NA	NA
	Antenna Mount Magnetic Base	GMLN4278A	●	●	●	NA	NA	NA	NA
Tetra Antenna Element only (select separately Antenna Base above)	Antenna Whip Flexible Hinged 350 MHz	GMAD4501A	●	●		●			
	Antenna Whip Hinged 350 MHz	GMAG4502A	●	●		●			
	Antenna Whip Flexible Hinged 380 - 400 MHz	GMAE4279A	●	●	●			●	
	Antenna Whip Flexible Hinged 410 - 430 MHz	GMAE4280A	●	●	●			●	
	Antenna Whip Flexible Hinged 380 - 430 MHz	GMAE4281A	●	●	●			●	
	Antenna Whip Hinged 380 - 400 MHz	GMAE4282A	●	●	●			●	
	Antenna Whip Hinged 410 - 430 MHz	GMAE4283A	●	●	●			●	
	Antenna Whip Hinged 380 - 430 MHz	GMAE4284A	●	●	●			●	
	Antenna Whip Flexible Hinged 430 - 470 MHz	GMAE4285A	●	●					●
	Antenna Whip Hinged 430 - 470MHz	GMAE4286A	●	●					●



# TETRA MOBILE ACCESSORIES

## CABLES

Category	ACCESSORY		RADIO COMPATIBILITY			FEATURES	END USER REQUIREMENTS	
	Description	Part number	MTM800	MTM800 Enhanced	CM5000 Gateway	Dimensions L (m) / H x W x D (mm)	Robustness	Ease of Use
Cables	Programming Cable	GMKN4067B	•			2 m	•	
	Active Data Cable	GMKN1022A	•		•	2 m	•	
	Interface Cable for SB9600	GMKN4079A	•			1.7 m	•	
	USB Programming Cable	HKN6184A		•		2 m	•	
	Motorcycle Control Head to Expansion Head	3066516B01				2 m	•	
	Motorcycle Control Head Microphone Cable	GMKN4072A	•			1 m	•	
	Speaker Extension Cable	GMKN4084A	•	•	•	5 m	•	
	Remote mount cable (radio to control head)	PMKN4020A	•	•		10 m	•	
	Remote mount cable (radio to control head)	RKN4077A	•	•		3 m	•	
	Remote mount cable (radio to control head)	RKN4078A	•	•		5 m	•	
	Remote mount cable (radio to control head)	RKN4079A	•	•		7 m	•	
	Ignition Switch Cable	HKN9327BR	•	•	•	3 m	•	
	Accessory Expansion cable (enhanced connector)	PMKN4056A		•		4 m	•	
	Accessory Expansion cable (enhanced connector)	PMKN4029A		•		2.3 m	•	
Desktop Mounting	Remote mount Cleartone Cable IF3G to Control Head	3066579B01			•	5.5 m	•	
	Remote mount Cleartone Cable IF3G to CM5000	3066578B01			•	1 m	•	
	Desktop Power Supply	GPN6145B	•	•	•	85 x 170 x 190	•	•
	12V connecting Cable for use with GPN6145B	GKN6266A	•	•	•	2.5 m	•	•
	US linecord 110V	3060665A04	•	•	•	2 m	•	•
	Euro linecord 230V	3002695B04	•	•	•	2 m	•	•
	UK linecord 230V	NTN7375AR	•	•	•	2 m	•	•
	Argentina Linecord 110V	NTN9246A	•	•	•	2 m	•	•
	Battery power cable, 10A fuse AWG 12	GKN6270A	•	•	•	3 m	•	•
	Battery power cable, 10A fuse AWG 10	GKN6274A	•	•	•	6 m	•	•
Junction Box	Junction Box	GMLN3002A	•	•	•	25 x 125 x 85	•	•
	Cable Junction Box to terminal - 6m	GMKN4192A	•	•	•	6 m	•	•
	Cable Junction Box to terminal - 4m	GMKN4193A	•	•	•	4 m	•	•
	Cable Junction Box to terminal - 2m	GMKN4194A	•	•	•	2 m	•	•



3066516B01



GMKN4079A



GMKN4192A



HKN6184A



GPN6145B



GKN6266A



RKN4077A



HKN9327BR



GMKN1022A



GMKN4067B



GMKN4193A



GMKN4194A



GMLN3002A



3002695B04





# TETRA PDA ACCESSORIES

## Data Connectivity & Charging Solutions

Critical communications solutions require reliable and efficient power sources and Motorola delivers this with a range of charging solutions. Choose from simple wall chargers or complete desktop solutions allowing you to charge your battery while connected to your PC for data synchronisation.

We also offer a range of cables for data connectivity including configuration of the TETRA radio modem.

## Carrying solutions & Accessories

The MTC100 TETRA PDA gives users the potential to access critical operational data and submit information from the field – all using the power of TETRA data services. This robust platform is complemented by carrying solutions and devices to ensure your PDA is protected and accessible when you need it.



MTC100



ACCESSORY			END USER REQUIREMENTS		
Category	Description	Part number	Robustness	Ease of Use	Efficiency
Carry Solutions	Carry Accessory Kit (including carry strap and belt clip kit)	GMLN4590A			•
	Nylon Carry Case - Belt Open with 3" D-swivel belt loop (access to screen and keypad)	GMLN4594A		•	
	Peter Jones Leather Carry Case with Klick Fast Attachment-Open (access to screen and keypad)	GMLN4591A			
Miscellaneous	9 Way Male to Male null Modem for KVL	5883883Y02		•	
	Spare USB Data Cable	GMKN4622A		•	
	Spare Charging and USB Adapter	GMLN4623A		•	
	Spare stylus (including stylus tether)	5271153M01			•
	Spare Stubby Antenna 380-400, 400-430 Mhz	GMAD4597A		•	



# TETRA PDA ACCESSORIES



MTC100



GMAD4597A



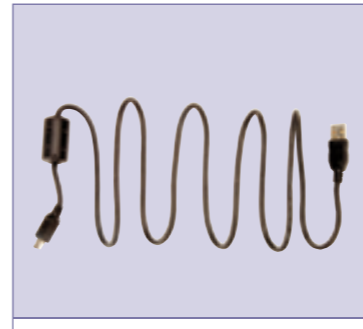
NNTN6969A



GMLN4591A



PMLN5056A



GMKN4622A



GMLN4623A



2571003U01

ACCESSORY			FEATURES											END USER REQUIREMENTS		
Category	Description	Part number	Battery Chemistry	Battery Capacity (mAh)	Battery Operational Time (Hours) 5/5/90 Duty Cycle	Battery No of Charge Cycles	Battery Dimensions L x W x D (mm)	Battery Weight (g)	Battery Energy Density (Wh/ L) Watt hours per litre (volume)	Charger No of Pockets	Maximum No of PDAs or batteries charging at one time	Charger Operating Voltage AC	Charger Plug Type	Robustness	Ease of Use	Efficiency
Battery	Large battery	NNTN6969A	Lilon	3600 mAh	up to 8 hours *	400	52 x 38 x 24	100	273					•		•
Chargers	UK Travel Charger (plugs into adapter GMLN4623A)	2571003U01								0	1	230V	3 pin UK		•	
	Euro Travel Charger (plugs into adapter GMLN4623A)	2571003U02								0	1	230V	2 pin Euro		•	
	PDA and Battery Dual Desktop Charger Base (requires Travel Charger 2571003U01 or 2571003U02)	PMLN5056A								1 PDA, 1 battery	1	230V	NA	•	•	•





# TETRA PORTABLE ACCESSORIES

## MTH800 QUICK REFERENCE

CATEGORY	DESCRIPTION	PART NUMBER
Batteries	Battery, Lithium Ion 1500 mAh	NNTN6923A
	Battery door for 1500 mAh battery - NNTN4655B and NNTN6923A	0188809V59
	Battery door for 800 mAh battery - SNN5705C and NNTN6922A	0188809V58
Chargers	Dual Pocket Desktop Charger base (includes insert)	FTN6306C
	Replacement Insert for dual pocket desk top charger	1587845S02
	Travel Charger Kit (includes Euro and UK adapters)	WALN4092A
	Travel charger Power supply only (US plug)	NNTN4250D
	Plug adapter Euro for travel charger NNTN4250D	SYN7456A
	Plug adapter UK for travel charger NNTN4250D	SYN7455A
	Multi-Unit Charger Wall Mount Bracket	NNTN6844A
	Multi-Unit charger 6 way Radio pocket UK line cord	NNTN6912A
	Multi-Unit charger 6 way Battery pocket UK line cord	NNTN6916A
	Multi-Unit charger 6 way Radio pocket Euro line cord	NNTN6913A
Multi-Unit charger 6 way Battery pocket Euro line cord	NNTN6918A	
Multi-Unit charger 6 way Radio pocket US line cord	NNTN6915A	
Multi-Unit charger 6 way Battery pocket US line cord	NNTN6920A	
Multi-Unit charger 6 way Radio pocket Argentinian line cord	NNTN6914A	
Multi-Unit charger 6 way Battery pocket Argentinian line cord	NNTN6919A	
Multi-Unit charger 6 way Radio pocket Korean line cord	NNTN6899A	
Multi-Unit charger 6 way Battery pocket Korean line cord	NNTN6917A	
Multi-Unit charger 6 way Radio pocket Chinese line cord	NNTN6998A	
Multi-Unit charger 6 way Radio pocket Chinese line cord	NNTN6999A	
Interchangeable Radio Pocket Insert (x1)*	NNTN7006A	
Interchangeable Battery Pocket Insert (x1)*	NNTN7007A	

\* Radio and Battery inserts can be interchanged and mixed on the same charger base (e.g. 3 radio pockets and 3 battery pockets on each charger base)

\* Extended Battery (replaces NNTN6922A, SNN5705C and NNTN4655B)

CATEGORY	DESCRIPTION	PART NUMBER	
Shoulder Worn Radio Earpieces	1 Wire Earpiece, D-shell, Large, short cable, 2.5mm jack, black	PMLN5140A	
	1 Wire Earpiece, D-shell, Small, short cable, 2.5mm jack, black	PMLN5147A	
	1 Wire Surveillance kit with Quick Disconnect clear voicetube, 2.5mm jack, short black cord	PMLN5139A	
	1 Wire Surveillance kit with Quick Disconnect clear voicetube, 2.5mm jack, short beige cord	PMLN5145A	
	2 Wire Surveillance Kit, combined mic and PTT, 2.5 mm jack, black (can be used in conjunction with PMLN4605A)	FTN6707A	
	3 Wire Surveillance Kit with Quick Disconnect clear voicetube, 2.5mm jack, beige	PMLN5141A	
	3 Wire Surveillance Kit with Quick Disconnect clear voicetube, 2.5mm jack, black	PMLN5143A	
	Earbud, Personal Handsfree Kit, 2.5mm jack, black	FTN6583A	
	D-shell, Large, Personal Handsfree Kit with in-line PTT, 2.5mm jack, black	PMLN5271A	
	D-shell, Small, Personal Handsfree Kit with in-line PTT, 2.5mm jack, black	PMLN5272A	
Belt Worn Radio Earpieces	Low Noise Kit for use with Surveillance Kits FTN6595A and FTN6596A	RLN6232A (replaces NTN8371A)	
	Extreme Noise Kit for use with Surveillance Kits FTN6595A and FTN6596A	RLN6230A (replaces NTN8370A)	
	Beige Replacement earphone element for Quick Disconnect Surveillance Kits PMLN5141A, PMLN5145A	PMLN5177A	
	Black Replacement earphone element for Quick Disconnect Surveillance Kits PMLN5139A, PMLN5143A	PMLN5178A	
	Replacement Low Noise Quick Disconnect Adapter, Tube and Eartip Assembly for Surveillance Kits (black) PMLN5139A, PMLN5143A. Earphone element not included.	PMLN5414A	
	Replacement Low Noise Quick Disconnect Adapter, Tube and Eartip Assembly for Surveillance Kits (beige) PMLN5141A, PMLN5145A. Earphone element not included.	PMLN5415A	
	Replacement Quick Disconnect Acoustic Tube	RLN6242A	
	Earpiece Noise kits	Acoustic Clear Tube for use with 2 wire surveillance kit FTN6707A	PMLN4605A

CATEGORY	DESCRIPTION	PART NUMBER
Remote Speaker Microphones	Small RSM with Emergency Button, attaches to radio through bottom 17 pin connector	PMMN4016A
	Earbud for use with RSMs PMMN4015A and PMMN4016A, 3.5 mm jack, black	MDRLN4885B
	Earpiece with translucent tube for use with RSM PMMN4015A and PMMN4016A, 3.5 mm jack	MDRLN4941A
Associated RSM Earpieces	D-Shell (Large) for use with RSMs PMMN4015A and PMMN4016A, 3.5 mm jack, black	PMLN5273A
	D-Shell (Small) for use with RSMs PMMN4015A and PMMN4016A, 3.5 mm jack, black	PMLN5274A
Headset	Headset with PTT - Breeze Kit, 2.5 mm jack, black	FTN6582A
	Soft leather Carry Case with swivel belt loop	RLN4891A
Carry Solutions	Hard leather Carry Case with swivel belt loop	RLN4892A
	Shoulder Wearing Device	Shoulder Wearing Device with Peter Jones Klick Fast attachment - For use with Peter Jones Docks
Belt Clips & Others		Belt Clip attachment bracket (for use with belt clips HLN9844A and HLN9714A)
	Spring Belt Clip 1.5 inches (requires attachment bracket FTN6302A)	HLN9844A
	Spring Belt Clip 2.5 inches (requires attachment bracket FTN6302A)	HLN9714A
	Wrist Strap	HLN9767B
	Shoulder Strap for carry cases	NTN5243A
	Replacement Swivel Belt Loop	RLN5722A
	Peter Jones Klick Fast Sew on Dock, Dock 06	GMDN0386A
	Peter Jones Klick Fast Mounting Dock for RSM garment tag, DOCKRSMTAG	GMDN0445AA
	Peter Jones Mounting Klick Fast Dock for RSM garment tag, double tongue, DOCKRSMTAGBTP	GMDN0547A
	Peter Jones Klick Fast Belt Dock 50mm, Dock 03W	GMLN4488A
Peter Jones Carry Solutions	Peter Jones Klick Fast Trousers Belt Dock for 38mm belt, Dock 02	GMDN0497A
	Peter Jones Klick Fast Retro fitting garment Dock, Dock 08	WALN4307A
	Peter Jones Klick Fast 50mm short leather Belt Loop with mounting dock, DOCK 05BL	GMDN0566AC
	Peter Jones Soft canvas Case with Klick Fast stud, PVC screen and 50 mm belt Dock, Dock 03 RMTH650P1KFCAN	GMDN0445AB
	Peter Jones Soft leather Case with Klick Fast stud, PVC screen and 38mm belt Dock, Dock 02 RMTH650P1KFD02	GMDN0548A
	Peter Jones Klick Fast 50mm Belt Loop with mounting Dock low hang, DOCK05BLDROP	GMDN0445AC
	Peter Jones Soft leather Case with Klick Fast stud, half PVC screen and 50 mm belt Dock, Dock 03 RMTH800P1KFWNORMS	GMDN0549A

CATEGORY	DESCRIPTION	PART NUMBER
In-Vehicle Solutions	Handsfree Digital Car Kit (includes cradle, junction box, external speaker, remote microphone, Velcro PTT and installation cables)	FTN6307BA
	Vehicle Power Adapter	FLN9469A
	External Roof Antenna - Combined Tetra and GPS 380-430 MHz (Kit includes duplexer and DC adapter)	GMAE4290A
	External Roof Antenna - Combined Tetra and GPS 440-470 MHz (Kit includes duplexer and DC adapter)	GMAE4293A
	Replacement Duplexer Module	GMAE4264A
	Replacement 5V DC Adapter Converter	FTN6790A
Antennas	Stubby Antenna 380-430MHz (with integrated GPS antenna)	8575280M01
	Whip Antenna 380-430MHz (with integrated GPS antenna)	8575279M01
	Stubby Antenna 440-470 MHz (with integrated GPS antenna)	8566504A02
	Whip Antenna 440-470 MHz (with integrated GPS antenna)	8566504A01
	Stubby Antenna 350-390MHz (with integrated GPS antenna)	8566504A03
	Whip Antenna 350-390MHz (with integrated GPS antenna)	8566504A04
Cables	RS232 Data Cable	PMKN4025A
	USB Cable	PMKN4026A
Miscellaneous	Motorola branded bag, nylon, black (can contain personal audio earpiece kits)	5666532A01
Miscellaneous Parts	Plastic Accessory Connector Cover (packs of 100 units)	WALN4438A

# TETRA PORTABLE ACCESSORIES

## MTP850 QUICK REFERENCE

CATEGORY	DESCRIPTION	PART NUMBER
Batteries	Integrated Slim Battery (English label) - 950 mAH	FTN6573A
	Integrated Slim Battery (Chinese label) - 950 mAH	FTN6573AC
	Integrated Slim Battery (Korean label) - 950 mAH	FTN6573AK
	Integrated Extended Battery (English label) - 1850 mAH	FTN6574B
	Integrated Extended Battery (Chinese label) - 1850 mAH	FTN6574BC
	Integrated Extended Battery (Korean label) - 1850 mAH	FTN6574BK
	Dual Pocket Desktop Charger base	FTN6575A
	Travel Charger Kit (includes Euro and UK adapters)	WALN4092A
	Travel Charger Kit (includes China adapter)	RLN5892A
	Travel Charger Kit (includes Korea adapter)	NPN6443A
Chargers	Travel Charger Kit (includes Argentina adapter)	NNTN5842A
	Travel charger Power supply only (US plug)	NNTN4250D
	Plug adapter Euro for travel charger NNTN4250D	SYN7456A
	Plug adapter UK for travel charger NNTN4250D	SYN7455A
	Plug adapter Korea for travel charger NNTN4250D	SYN7460A
	Plug adapter Australian/New Zealand for travel charger NNTN4250D	SYN8127A
	Plug adapter Argentina for travel charger NNTN4250D	SYN8039A
	Multi-Unit charger 6 way Radio pocket Euro Line cord	NNTN6900A
	Multi-Unit charger 6 way Radio pocket UK Line cord	NNTN6901A
	Multi-Unit charger 6 way Radio pocket Korea Line cord	NNTN6899A
	Multi-Unit charger 6 way Radio pocket Australia Line cord	NNTN6903A
	Multi-Unit charger 6 way Radio pocket Argentina Line cord	NNTN6902A
	Multi-Unit charger 6 way Radio pocket US Line cord	NNTN6904A
	Multi-Unit charger 6 way Battery pocket Euro Line cord	NNTN6908A
	Multi-Unit charger 6 way Battery pocket UK Line cord	NNTN6907A
	Multi-Unit charger 6 way Battery pocket Korea Line cord	NNTN6906A
	Multi-Unit charger 6 way Battery pocket Australia Line cord	NNTN6909A
	Multi-Unit charger 6 way Battery pocket Argentina Line cord	NNTN6910A
	Multi-Unit charger 6 way Battery pocket US Line cord	NNTN6911A
	Interchangeable Radio Pocket Insert (x 1) *	NNTN6845A
Interchangeable Battery Pocket Insert (x 1) *	NNTN6846A	
Multi-Unit Charger Wall Mount Bracket	NNTN6844A	

\* Radio and Battery inserts can be interchanged and mixed on the same charger base (e.g. 3 radio pockets and 3 battery pockets on each charger base)

CATEGORY	DESCRIPTION	PART NUMBER
Shoulder Worn Radio Earpieces	1 Wire Earpiece, D-shell, Large, short cable, 2.5mm jack, black	PMLN5140A
	1 Wire Earpiece, D-shell, Small, short cable, 2.5mm jack, black	PMLN5147A
	1 Wire Surveillance Kit with Quick Disconnect clear voicetube, 2.5mm jack, short black cord	PMLN5139A
	1 Wire Surveillance Kit with Quick Disconnect clear voicetube, 2.5mm jack, short beige cord	PMLN5145A
	2 Wire Surveillance Kit, combined mic and PTT, 2.5 mm jack, black	FTN6707A
	3 Wire Surveillance Kit with Quick Disconnect clear voicetube, 2.5mm jack, beige	PMLN5141A
	3 Wire Surveillance Kit with Quick Disconnect clear voicetube, 2.5mm jack, black	PMLN5143A
	Earbud, Personal Handsfree Kit, 2.5mm jack, black	FTN6583A
	D-shell, Large, Personal Handsfree Kit with in-line PTT, 2.5mm jack, black	PMLN5271A
	D-shell, Small, Personal Handsfree Kit with in-line PTT, 2.5mm jack, black	PMLN5272A
Belt Worn Radio Earpieces	Replacement Low Noise Kit for use with Surveillance Kits FTN6595A and FTN6596A	RLN6232A (replaces NTN8371A)
	Replacement Extreme Noise Kit for use with Surveillance Kits FTN6595A and FTN6596A	RLN6230A (replaces NTN8370A)
	Beige Replacement earphone element for Quick Disconnect Surveillance Kits PMLN5141A, PMLN5145A	PMLN5177A
	Black Replacement earphone element for Quick Disconnect Surveillance Kits PMLN5139A, PMLN5143A	PMLN5178A
	Replacement Low Noise Quick Disconnect Adapter, Tube and Eartip Assembly for Surveillance Kits (black) PMLN5139A, PMLN5143A. Earphone element not included.	PMLN5414A
	Replacement Low Noise Quick Disconnect Adapter, Tube and Eartip Assembly for Surveillance Kits (beige) PMLN5141A, PMLN5145A. Earphone element not included.	PMLN5415A
	Replacement Quick Disconnect Acoustic Tube only	RLN6242A

CATEGORY	DESCRIPTION	PART NUMBER
Earpiece Noise kits	Acoustic Clear Tube for use with 2 wire surveillance kit FTN6707A	PMLN4605A
Remote Speaker Microphone	Small RSM with emergency button, attaches to radio side 2.5 mm accessory connector	PMMN4015A
RSM Earpieces	Earbud for use with RSMs PMMN4015A and PMMN4016A, 3.5 mm jack, black	MDRLN4885B
	Earpiece with translucent tube for use with RSM PMMN4015A and PMMN4016A, 3.5 mm	MDRLN4941A
	D-Shell (Large) for use with RSMs PMMN4015A and PMMN4016A, 3.5 mm jack, black	PMLN5273A
	D-Shell (Small) for use with RSMs PMMN4015A and PMMN4016A, 3.5 mm jack, black	PMLN5274A
Headset	Headset with PTT - Breeze Kit, 2.5 mm jack, black	FTN6582A
Carry Solutions	Rugged leather Carry Case with swivel belt loop	RLN5717A
	Radio Nylon Holster for belt attachment	RLN5718A
	Soft leather Carry Case with swivel belt loop	RLN5719A
	Soft leather Carry Case with integrated belt clip	RLN5720A
Shoulder Wearing Device	Shoulder Wearing Device with Peter Jones Klick Fast attachment - For use with Peter Jones Docks GMDN0386A, GMDN0445AA, GMDN0547A and WALN4307A	PMLN5004A
	Leather Pouch, PVC screen - for use in combination with shoulder wearing device PMLN5004A	RLN5721A
Belt Clips & Others	Spring Belt Clip 1.5 inches (requires attachment bracket FTN6302A)	HLN9844A
	Spring Belt Clip 2.5 inches (requires attachment bracket FTN6302A)	HLN9714A
	Wrist Strap	HLN9767B
	Shoulder Strap for carry cases	NTN5243A
	Replacement Swivel Belt Loop	RLN5722A
	Replacement T-Strap for nylon Holster RLN5718A	RLN5889A

CATEGORY	DESCRIPTION	PART NUMBER
Peter Jones Carry Solutions	Peter Jones Klick Fast Sew on Dock, Dock 06	GMDN0386A
	Peter Jones Klick Fast Mounting Dock for RSM garment tag, DOCKRSMTAG	GMDN0445AA
	Peter Jones Mounting Klick Fast Dock for RSM garment tag, double tongue DOCKRSMTAGBTP	GMDN0547A
	Peter Jones Klick Fast Belt Dock 50mm, Dock 03W	GMLN4488A
	Peter Jones Klick Fast Trouser Belt Dock for 38 mm belt, Dock 02	GMDN0497A
	Peter Jones Klick Fast Retro fitting garment Dock, Dock 08	WALN4307A
	Peter Jones Klick Fast 50mm short leather Belt Loop with mounting dock, DOCK 05BL	GMDN0566AC
	Peter Jones Soft canvas Case with Klick Fast stud, PVC screen and 50 mm belt Dock, Dock 03 RMTH650P1KFCAN	GMDN0445AB
	Peter Jones Soft leather Case with Klick Fast stud, PVC screen and 38mm belt Dock, Dock 02 RMTH650P1KFD02	GMDN0548A
	Peter Jones Klick Fast 50mm Belt Loop with mounting Dock low hang, DOCK05BLDROP	GMDN0445AC
In-Vehicle Charger	Peter Jones Soft leather Case with Klick Fast stud, half PVC screen and 50 mm belt Dock, Dock 03 RMTH800P1KFWNORSM	GMDN0549A
	Peter Jones Soft leather Case with Klick Fast stud, PVC screen and 38mm belt Dock	GMLN1158A
	Vehicle Power Adapter	FLN9469A
External Roof Antennas	Handsfree Digital Car Kit (includes cradle, junction box, external speaker, remote microphone, Velcro PTT and installation cables)	GMLN4687A
	Cradle only for Car Kit with RF connection	GMLN4688A
Antennas	Combined Tetra and GPS 380-430 MHz (Kit includes duplexer and DC adapter)	GMAE4290A
	Combined Tetra and GPS 350-390 MHz Kit includes duplexer and DC adapter)	GMAD4500A
	Combined Tetra and GPS 806-870 MHz (Kit includes duplexer and DC adapter)	GMAF4504A
	Stubby Antenna 350-390MHz (with integrated GPS antenna)	8566504A03
Cables	Whip Antenna 350-390MHz (with integrated GPS antenna)	8566504A04
	Stubby Antenna 800-870 MHz (with integrated GPS antenna)	8575277M01
	Whip Antenna 800-870 MHz (with integrated GPS antenna)	8575276M01
	Stubby Antenna 380-430MHz (with integrated GPS antenna)	8575278M01
Miscellaneous	RS232 Data Cable	PMKN4025A
	USB Cable	PMKN4026A
	Plastic Accessory Connector Cover (packs of 100 units)	WALN4439A
	Motorola branded bag, nylon, black (can contain personal audio earpiece kits)	5666532A01



# TETRA ATEX ACCESSORIES

## MTP850Ex / MTP810Ex

### QUICK REFERENCE

380-430 MHz

This table lists the accessories which are approved for use in potentially hazardous environments according to the ATEX EC DIRECTIVE 94/9/EC and the IECEx certification scheme (except where indicated otherwise, whereby the accessories are approved for use only outside potentially hazardous environments - see chargers and cables)

CATEGORY	DESCRIPTION	PART NUMBER
<b>Battery</b>	Battery Lilon 7.2V 725 mAH	NNTN7383A
	IMPRES™ Multi-Unit Charger, no display - US cord	WPLN4187A
	IMPRES™ Multi-Unit Charger, no display - Euro cord	WPLN4189A
	IMPRES™ Multi-Unit Charger, no display - UK cord	WPLN4188A
	IMPRES™ Multi-Unit charger, no display international 110V	WPLN4205A
	IMPRES™ Multi-Unit Charger with display - Euro cord	WPLN4194A
	IMPRES™ Multi-Unit Charger with display - UK cord	WPLN4193A
	IMPRES™ Multi-Unit Charger with display international 110V	WPLN4204A
	IMPRES™ Single-Unit Charger, Base only	WPLN4199B
	IMPRES™ Single-Unit Charger with UK cord	WPLN4183A
	IMPRES™ Single-Unit Charger with Euro cord	WPLN4184A
	IMPRES™ Single-Unit Charger with SMPS UK AC cord	PMLN5194A
	IMPRES™ Single-Unit Charger with SMPS EU AC cord**	PMLN5188A
<b>Chargers *</b> <small>*Approved by Motorola for use with MTP850Ex/ MTP810Ex only outside potentially hazardous environments</small>	IMPRES™ Multi-Unit Charger - Base only	WPLN4197A
	IMPRES™ Multi-Unit Charger, no display - Australia cord	WPLN4190A
	IMPRES™ Multi-Unit Charger, no display - Argentina cord	WPLN4191A
	IMPRES™ Multi-Unit Charger, no display - Korea cord	WPLN4146A
	IMPRES™ Multi-Unit Charger with display - Base only	WPLN4198A
	IMPRES™ Multi-Unit Charger with display - US cord	WPLN4192A
	IMPRES™ Multi-Unit Charger with display - Australia cord	WPLN4195A
	IMPRES™ Multi-Unit Charger with display - Argentina cord	WPLN4196A
	IMPRES™ Multi-Unit Charger with display - Korea cord	WPLN4145A
	IMPRES™ Single-Unit Charger - US cord	WPLN4182A
	IMPRES™ Single-Unit Charger - Australia cord	WPLN4185A
	IMPRES™ Single-Unit Charger - Argentina cord	WPLN4186A
	IMPRES™ Single-Unit Charger - Korea cord	NNTN7471A
IMPRES™ Single-Unit Charger with SMPS US AC cord	PMLN5198A	
IMPRES™ Single-Unit Charger with SMPS Australia/NZ AC cord	PMLN5199A	
IMPRES™ Single-Unit Charger with SMPS Argentina AC cord	PMLN5214A	
<b>Remote Speaker Microphone</b>	Remote Speaker Mic with Volume Control	PMMN4058A
	Over the Head Heavy Duty Headset	PMLN5389A
	Behind the Head Heavy Duty Headset	PMLN5390A
	Over the Head Lightweight Headset	PMLN5391A
	Skull mic system is a future release	PMMN4064A
<b>Headsets</b>	Behind the Head Lightweight Headset	PMLN5391A
	Throat Microphone with 80mm PTT	PMMN4063A
	Belt Clip 2.5 inch	PMLN5134A
	Shoulder Wearing Device with PJ klick Fast attachment	PMLN5004A
	<b>Carry Solutions</b>	Hard Leather Case
Soft Leather Case		PMLN5288A
Nylon Shoulder Strap (for use with carry case)		NTN5243A
Dust cover		PMLN5419A
<b>Cables*</b> <small>*Approved by Motorola for use with MTP850Ex/ MTP810Ex only outside potentially hazardous environments</small>	USB Data Cable	PMLN5235A
	RS232 Data Cable	PMLN5237A
<b>Antennas</b>	Short Stubby Antenna Integrated RF/GPS	85007012001
	Medium Length Stubby Antenna Integrated RF/GPS	8587526V14
	Whip Antenna (long length) Integrated RF/GPS	8575279M01
<b>SMPS (Switch Mode Power Supply)</b>		

# TETRA MOBILE ACCESSORIES -

## MTM800 QUICK REFERENCE

350-390 MHz  
380-430 MHz  
410-470 MHz  
806-870 MHz

CATEGORY	DESCRIPTION	PART NUMBER	CATEGORY	DESCRIPTION	PART NUMBER
<b>Standard Control Heads</b>	Standard Control Head (English keypad)	GMWN4062B	<b>Combined Tetra and GPS Antenna Kits</b>	Antenna Combined Tetra and GPS 350 MHz	GMAE4493A
	Data Expansion Control Head	GMCE4053B		Antenna Combined Tetra and GPS 380 - 430 MHz	GMAE4248A
	Remote Mount Transceiver Cover	GMHN4080A		Antenna Combined Tetra and GPS 380 - 400 MHz	GMAE4249A
<b>Microphones</b>	Motorcycle Control Head (English keypad)	SDLN4506A		Antenna Combined Tetra and GPS 400 - 430 MHz	GMAE4250A
	Fist Microphone	GMMN4063B		Antenna Combined Tetra and GPS 430 - 470 Mhz	GMAE4269A
	Replacement Coiled Cord for Fist Microphone (GMMN4063B)	3066519B01		Antenna Combined Tetra and GPS 800 MHz	GMAF4408A
	Desk Microphone	RMN5069A		Antenna Glass Mount 350 MHz	GMAD4494A
	Visor Microphone	GMMN4065B		Antenna Panel Mount 350 MHz	GMAD4495A
<b>Handset</b>	Telephone style Handset	GMUN1006B		Antenna Magnetic Mount 350 MHz	GMAD4496A
	<b>Loudspeakers</b>	Large External Speaker 13 Watts		GMSN4066A	Antenna Covert 350 MHz
Small External Speaker 5 Watts		GMSN4078B		Antenna Low Profile 350 MHz	GMAD4503A
<b>Push-To-Talk &amp; Specific kits</b>	PTT Pushbutton (with Velcro attachment)	RLN4857A		Antenna Wall Mount 350 MHz	GMAD4498A
	Gooseneck PTT	RLN4858A		Antenna Motorcycle 350 MHz	GMAD4499A
	External Alarm Relay	GKN6272A	Antenna Glass Mount 380 - 400 MHz	GMAE4253A	
	Buzzer Kit	GLN7282A	Antenna Glass Mount 410 - 430 MHz	GMAE4254A	
<b>Transceiver Installation</b>	Accessory Connection Kit	GMBN1021A	Antenna Panel Mount 380 - 430 MHz	GMAE4255A	
	High Profile Mounting Trunnion	GLN7317A	Antenna Magnetic Mount 380 - 400 MHz	GMAE4256A	
	Low Profile Mounting Trunnion	GLN7324A	Antenna Magnetic Mount 410 - 430 MHz	GMAE4257A	
	Din Mount Kit for radio chassis	RLN4781A	Antenna Covert 380 - 400 MHz	GMAE4258A	
	Key lock mount	RLN4779A	Antenna Covert 410 - 430 MHz	GMAE4259A	
	Desktop tray - Without loudspeaker	GLN7318A	Antenna Low Profile 380 - 400 MHz	GMAE4260A	
	Desktop tray - With loudspeaker	GLN7326A	Antenna Low Profile 410 - 430 MHz	GMAE4261A	
<b>Cables</b>	Programming Cable	GMKN4067B	<b>Tetra only Antenna Kits</b>	Antenna Wall Mount 380 - 400 MHz	GMAE4262A
	Active Data Cable	GMKN1022A		Antenna Wall Mount 410 - 430 MHz	GMAE4263A
	Interface Cable for SB9600	GMKN4079A		Antenna Motorcycle 380 - 400 MHz	GMAE4266A
	Motorcycle Control Head to Expansion Head	3066516B01		Antenna Motorcycle 410 - 430 MHz	GMAE4267A
	Motorcycle Control Head Microphone Cable	GMKN4072A		Antenna Glass Mount 450 - 470 MHz	GMAE4270A
	Speaker Extension Cable	GMKN4084A		Antenna Panel Mount 430 - 470 MHz	GMAE4271A
	Remote mount cable (radio to control head)	PMKN4020A		Antenna Magnetic Mount 430 - 470 MHz	GMAE4272A
	Remote mount cable (radio to control head)	RKN4077A		Antenna Covert 430 - 470 MHz	GMAE4273A
	Remote mount cable (radio to control head)	RKN4078A		Antenna Low Profile 450 - 470 MHz	GMAE4274A
	Remote mount cable (radio to control head)	RKN4079A		Antenna Wall Mount 430 - 470 MHz	GMAE4275A
<b>Desktop Mounting</b>	Ignition Switch Cable	HKN9327BR		Antenna Motorcycle 430 - 470 MHz	GMAE4268A
	Desktop Power Supply	GPN6145B		Antenna Glass Mount 800MHz	GMAF4409A
	12V connecting Cable for use with GPN6145B	GKN6266A		Antenna Glass Mount 3dB 800MHz	GMAF4410A
	US linecord 110V	3060665A04	Antenna Eurobase 800 MHz	GMAF4411A	
	Euro linecord 230V	3002695B04	Antenna Magnetic Mount 800 MHz	GMAF4412A	
	UK linecord 230V	NTN7375AR	Antenna Magnetic Mount 3dB 800 MHz	GMAF4413A	
	Argentina Linecord 110V	NTN9246A	Antenna Covert 800 MHz	GMAF4414A	
<b>Junction Box</b>	Battery power cable, 10A fuse AWG 12	GKN6270A	Antenna Low Profile 800 MHz	GMAF4415A	
	Battery power cable, 10A fuse AWG 10	GKN6274A	Antenna Wall Mount 800 MHz	GMAF4416A	
	Junction Box	GMLN3002A	Antenna Motorcycle 800 MHz	GMAF4417A	
	Cable Junction Box to terminal - 6m	GMKN4192A	Antenna Roof Mount Mini-UHF Connector 800 MHz	HAF4002A	
<b>GPS only Antenna Kits</b>	Cable Junction Box to terminal - 4m	GMKN4193A			
	Cable Junction Box to terminal - 2m	GMKN4194A			
	Antenna GPS Panel Mount	GMAG4251A			
	Antenna GPS Magnetic Mount	GMAG4252A			

# TETRA MOBILE ACCESSORIES - MTM800 QUICK REFERENCE

350-390 MHz  
380-430 MHz  
410-470 MHz  
800-870 MHz

CATEGORY	DESCRIPTION	PART NUMBER
<b>Tetra Antenna Base only (select separately Antenna Element below)</b>	Antenna Mount Panel	GMLN4276A
	Antenna Mount Panel	GMLN4277A
	Antenna Mount Magnetic Base	GMLN4278A
<b>Tetra Antenna Element only (select separately Antenna Base above)</b>	Antenna Whip Flexible Hinged 350 MHz	GMAD4501A
	Antenna Whip Hinged 350 MHz	GMAG4502A
	Antenna Whip Flexible Hinged 380 - 400 MHz	GMAE4279A
	Antenna Whip Flexible Hinged 410 - 430 MHz	GMAE4280A
	Antenna Whip Flexible Hinged 380 - 430 MHz	GMAE4281A
	Antenna Whip Hinged 380 - 400 MHz	GMAE4282A
	Antenna Whip Hinged 410 - 430 MHz	GMAE4283A
	Antenna Whip Hinged 380 - 430 MHz	GMAE4284A
	Antenna Whip Flexible Hinged 430 - 470 MHz	GMAE4285A
	Antenna Whip Hinged 430 - 470MHz	GMAE4286A

# TETRA MOBILE ACCESSORIES - MTM800 ENHANCED QUICK REFERENCE

350-390 MHz  
380-430 MHz  
410-470 MHz  
806-870 MHz

CATEGORY	DESCRIPTION	PART NUMBER
<b>Enhanced Control Heads for Dash and Desk Models</b>	Dash Control Head (Roman keypad)	GMWN4298A
	Dash Control Head (Chinese keypad)	GMWN4299A
	Dash Control Head (Korean keypad)	GMWN4300A
	Dash Control Head (Arabic keypad)	GMWN4301A
	Dash Control Head (Bopomofo keypad)	GMWN4302A
	Dash Control Head (Cyrillic keypad)	GMWN4303A
<b>Enhanced Control Heads for Remote Models</b>	Remote Mount Head (Roman keypad)	GMWN4304A
	Remote Mount Head (Chinese keypad)	GMWN4305A
	Remote Mount Head (Korean keypad)	GMWN4306A
	Remote Mount Head (Arabic keypad)	GMWN4307A
	Remote Mount Head (Bopomofo keypad)	GMWN4308A
	Remote Mount Head (Cyrillic keypad)	GMWN4309A
<b>Enhanced Control Heads for Motorcycle Models</b>	Motorcycle Control Head (Roman keypad)	GMWN4600A
	Motorcycle Control Head (Chinese keypad)	GMWN4601A
	Motorcycle Control Head (Korean keypad)	GMWN4602A
	Motorcycle Control Head (Arabic keypad)	GMWN4603A
	Motorcycle Control Head (Bopomofo keypad)	GMWN4604A
	Motorcycle Control Head (Cyrillic keypad)	GMWN4605A
<b>Remote Kit (for use with Remote or Motorcycle Models)</b>	Data Expansion Head Kit	PMLN4908B
	Remote Mount Kit	PMLN4904B
<b>Microphones</b>	Fist Microphone - requires connection through junction box GMLN3002A	GMMN4063B
	Replacement Coiled Cord for Fist Microphone (GMMN4063B)	3066519B01
	Desk Microphone (with enhanced connector*)	RMN5106A
	Visor Microphone	GMMN4065B
	Fist Microphone Compact (with enhanced connector*) Fist Microphone Heavy Duty (with enhanced connector*)	RMN5107B RMN5111A
<b>Handset</b>	Telephone style Handset - requires connection through junction box GMLN3002A	GMUN1006B
<b>Loudspeakers</b>	Large External Speaker 13 Watts	GMSN4066A
	Small External Speaker 5 Watts	GMSN4078B
<b>Push-To-Talk &amp; Specific Kits</b>	PTT Pushbutton (with Velcro attachment)	RLN4857A
	Gooseneck PTT	RLN4858A
	External Alarm Relay	GKN6272A
	Buzzer Kit	GLN7282A
	Accessory Connection Kit	GMBN1021A

\* with new enhanced robust audio connector

CATEGORY	DESCRIPTION	PART NUMBER
<b>Transceiver Installation</b>	High Profile Mounting Trunnion	GLN7317A
	Low Profile Mounting Trunnion	GLN7324A
	Key lock mount	RLN4779A
	Desktop tray - Without loudspeaker	GLN7318A
	Desktop tray - With loudspeaker	GLN7326A
<b>Trunnions for Enhanced Control Heads</b>	Standard Remote Mount Trunnion kit	PMLN4912A
	Enhanced Control Head Din Trunnion (for installation with PMLN5094A)	PMLN5093A
	Din Mount Frame	PMLN5094A
<b>Cables</b>	Motorcycle Enhanced Control Head Trunnion	PMLN5092A
	USB Programming Cable	HKN6184A
	Speaker Extension Cable	GMKN4084A
	Remote mount cable (radio to control head)	PMKN4020A
	Remote mount cable (radio to control head)	RKN4077A
	Remote mount cable (radio to control head)	RKN4078A
	Remote mount cable (radio to control head)	RKN4079A
	Ignition Switch Cable	HKN9327BR
	Accessory Expansion cable (enhanced connector)	PMKN4056A
	Accessory Expansion cable (enhanced connector)	PMKN4029A
<b>Desktop Mounting</b>	Desktop Power Supply	GPN6145B
	12V connecting Cable for use with GPN6145B	GKN6266A
	US linecord 110V	3060665A04
	Euro linecord 230V	3002695B04
	UK linecord 230V	NTN7375AR
	Argentina Linecord 110V	NTN9246A
	Battery power cable, 10A fuse AWG 12	GKN6270A
	Battery power cable, 10A fuse AWG 10	GKN6274A
	Junction Box	GMLN3002A
	Cable Junction Box to terminal - 6m	GMKN4192A
<b>Junction Box</b>	Cable Junction Box to terminal - 4m	GMKN4193A
	Cable Junction Box to terminal - 2m	GMKN4194A
	Antenna GPS Panel Mount	GMAG4251A
<b>GPS only Antenna Kits</b>	Antenna GPS Magnetic Mount	GMAG4252A
	Antenna Combined Tetra and GPS 350 MHz	GMAE4493A
<b>Combined Tetra and GPS Antenna Kits</b>	Antenna Combined Tetra and GPS 380 - 430 MHz	GMAE4248A
	Antenna Combined Tetra and GPS 380 - 400 MHz	GMAE4249A
	Antenna Combined Tetra and GPS 400 - 430 MHz	GMAE4250A
	Antenna Combined Tetra and GPS 430 - 470 Mhz	GMAE4269A
	Antenna Combined Tetra and GPS 800 MHz	GMAF4408A
<b>Tetra only Antenna Kits</b>	Antenna Glass Mount 350 MHz	GMAD4494A
	Antenna Panel Mount 350 MHz	GMAD4495A
	Antenna Magnetic Mount 350 MHz	GMAD4496A
	Antenna Covert 350 MHz	GMAD4497A
	Antenna Low Profile 350 MHz	GMAD4503A
	Antenna Wall Mount 350 MHz	GMAD4498A
	Antenna Motorcycle 350 MHz	GMAD4499A
	Antenna Glass Mount 380 - 400 MHz	GMAE4253A
	Antenna Glass Mount 410 - 430 MHz	GMAE4254A
	Antenna Panel Mount 380 - 430 MHz	GMAE4255A
	Antenna Magnetic Mount 380 - 400 MHz	GMAE4256A
	Antenna Magnetic Mount 410 - 430 MHz	GMAE4257A
	Antenna Covert 380 - 400 MHz	GMAE4258A
	Antenna Covert 410 - 430 MHz	GMAE4259A

# TETRA MOBILE ACCESSORIES - MTM800 ENHANCED QUICK REFERENCE

350-390 MHz  
380-430 MHz  
410-470 MHz  
806-870 MHz

CATEGORY	DESCRIPTION	PART NUMBER
Tetra only Antenna Kits	Antenna Low Profile 380 - 400 MHz	GMAE4260A
	Antenna Low Profile 410 - 430 MHz	GMAE4261A
	Antenna Wall Mount 380 - 400 MHz	GMAE4262A
	Antenna Wall Mount 410 - 430 MHz	GMAE4263A
	Antenna Motorcycle 380 - 400 MHz	GMAE4266A
	Antenna Motorcycle 410 - 430 MHz	GMAE4267A
	Antenna Glass Mount 450 - 470 MHz	GMAE4270A
	Antenna Panel Mount 430 - 470 MHz	GMAE4271A
	Antenna Magnetic Mount 430 - 470 MHz	GMAE4272A
	Antenna Covert 430 - 470 MHz	GMAE4273A
	Antenna Low Profile 450 - 470 MHz	GMAE4274A
	Antenna Wall Mount 430 - 470 MHz	GMAE4275A
	Antenna Motorcycle 430 - 470 MHz	GMAE4268A
	Antenna Glass Mount 800MHz	GMAF4409A
	Antenna Glass Mount 3dB 800MHz	GMAF4410A
	Antenna Eurobase 800 MHz	GMAF4411A
	Antenna Magnetic Mount 800 MHz	GMAF4412A
	Antenna Magnetic Mount 3dB 800 MHz	GMAF4413A
	Antenna Covert 800 MHz	GMAF4414A
	Antenna Low Profile 800 MHz	GMAF4415A
Antenna Wall Mount 800 MHz	GMAF4416A	
Antenna Motorcycle 800 MHz	GMAF4417A	
Antenna Roof Mount Mini-UHF Connector 800 MHz	HAF4002A	
Tetra Antenna Base only (select separately Antenna Element below)	Antenna Mount Panel	GMLN4276A
	Antenna Mount Panel	GMLN4277A
Tetra Antenna Element only (select separately Antenna Base above)	Antenna Mount Magnetic Base	GMLN4278A
	Antenna Whip Flexible Hinged 350 MHz	GMAD4501A
	Antenna Whip Hinged 350 MHz	GMAG4502A
	Antenna Whip Flexible Hinged 380 - 400 MHz	GMAE4279A
	Antenna Whip Flexible Hinged 410 - 430 MHz	GMAE4280A
	Antenna Whip Flexible Hinged 380 - 430 MHz	GMAE4281A
	Antenna Whip Hinged 380 - 400 MHz	GMAE4282A
	Antenna Whip Hinged 410 - 430 MHz	GMAE4283A
	Antenna Whip Hinged 380 - 430 MHz	GMAE4284A
	Antenna Whip Flexible Hinged 430 - 470 MHz	GMAE4285A
Antenna Whip Hinged 430 - 470MHz	GMAE4286A	

# TETRA MOBILE ACCESSORIES - CM5000 GATEWAY QUICK REFERENCE

380-430 MHz

CATEGORY	DESCRIPTION	PART NUMBER	CATEGORY	DESCRIPTION	PART NUMBER
Microphones	Fist Microphone	GMMN4063B	Antennas 380-430 Mhz	Antenna Combined Tetra and GPS 380 - 430 MHz	GMAE4248A
	Replacement Coiled Cord for Fist Microphone (GMMN4063B)	3066519B01		Antenna Combined Tetra and GPS 380 - 400 MHz	GMAE4249A
Visor Microphone	GMMN4065B	Antenna Combined Tetra and GPS 400 - 430 MHz		GMAE4250A	
Handset	Telephone style Handset	GMUN1006B		Antenna Glass Mount 380 - 400 MHz	GMAE4253A
Loudspeakers	Large External Speaker 13 Watts	GMSN4066A		Antenna Glass Mount 410 - 430 MHz	GMAE4254A
	Small External Speaker 5 Watts	GMSN4078B		Antenna Panel Mount 380 - 430 MHz	GMAE4255A
Push-To-Talk & Specific Kits	PTT Pushbutton (with Velcro attachment)	RLN4857A		Antenna Magnetic Mount 380 - 400 MHz	GMAE4256A
	Gooseneck PTT	RLN4858A		Antenna Magnetic Mount 410 - 430 MHz	GMAE4257A
	External Alarm Relay	GKN6272A		Antenna Covert 380 - 400 MHz	GMAE4258A
	Buzzer Kit	GLN7282A		Antenna Covert 410 - 430 MHz	GMAE4259A
Transceiver Installation	Accessory Connection Kit	GMBN1021A	Antenna Low Profile 380 - 400 MHz	GMAE4260A	
	High Profile Mounting Trunnion	GLN7317A	Antenna Low Profile 410 - 430 MHz	GMAE4261A	
	Low Profile Mounting Trunnion	GLN7324A	Antenna Wall Mount 380 - 400 MHz	GMAE4262A	
	Key lock mount	RLN4779A	Antenna Wall Mount 410 - 430 MHz	GMAE4263A	
	Desktop tray - Without loudspeaker	GLN7318A	Antenna Motorcycle 380 - 400 MHz	GMAE4266A	
	Desktop tray - With loudspeaker	GLN7326A	Antenna Motorcycle 410 - 430 MHz	GMAE4267A	
	CM5000 Control Head Din mount	GMLN4740A	Antenna Whip Flexible Hinged 380 - 400 MHz	GMAE4279A	
	CM5000 Universal Din mount	GMLN5035A	Antenna Whip Flexible Hinged 410 - 430 MHz	GMAE4280A	
	Dual Mode Adaptor	GMLN4742A	Antenna Whip Flexible Hinged 380 - 430 MHz	GMAE4281A	
	Remote mount kit	GMLN4741A	Antenna Whip Hinged 380-400 MHz	GMAE4282A	
Cables	Remote mount Cleartone Cable IF3G to Control Head - 5.5m	3066579B01	Antenna Whip Hinged 410-430 MHz	GMAE4283A	
	Remote mount Cleartone Cable IF3G to CM5000 - 1m	3066578B01	Antenna Whip Hinged 380-430 MHz	GMAE4284A	
	Junction box	GMLN3002A	Antenna Mount Panel	GMLN4276A	
	Cable - junction box to terminal - 6m	GMKN4192A	Antenna Mount Panel	GMLN4277A	
	Cable - junction box to terminal - 4m	GMKN4193A	Antenna Mount Magnetic	GMLN4278A	
	Cable - junction box to terminal - 2m	GMKN4194A			
Desktop Mounting	Active Data Cable	GMKN1022A			
	Speaker Extension Cable	GMKN4084A			
	Ignition Switch Cable	HKN9327BR			
	Desktop Power Supply	GPN6145B			
GPS Only Antenna Kits	12V connecting Cable for use with GPN6145B	GKN6266A			
	US linecord 110V	3060665A04			
	Euro linecord 230V	3002695B04			
	UK linecord 230V	NTN7375AR			
	Argentina Linecord 110V	NTN9246A			
	Antenna GPS Panel Mount	GMAG4251A			
	Antenna GPS Magnetic Mount	GMAG4252A			



380-430 MHz

# TETRA PDA ACCESSORIES - MTC100 QUICK REFERENCE

CATEGORY	DESCRIPTION	PART NUMBER
<b>Battery</b>	Large battery 3600 mAh	NNTN6969A
<b>Chargers</b>	UK Travel Charger (plugs into adapters GMLN4623A)	2571003U01
	Euro Travel Charger (plugs into adapters GMLN4623A)	2571003U02
	PDA and Battery Dual Desktop Charger Base (requires Travel Charger 2571003U01 or 2571003U02)	PMLN5056A
<b>Carry Solutions</b>	Carry Accessory Kit (including carry strap and belt clip kit)	GMLN4590A
	Nylon Carry Case - Belt Open with 3" D-swivel belt loop (access to screen and keypad)	GMLN4594A
	Peter Jones Leather Carry Case with Klick Fast Open (access to screen and keypad)	GMLN4591
<b>Cables</b>	9 Way Male to Male null Modem for KVL	5883883Y02
	Spare USB Data Cable	GMKN4622A
<b>Miscellaneous</b>	Spare Charging and USB Adapter	GMLN4623A
	Spare stylus (including stylus tether)	5271153M01
	Spare Stubby Antenna 380-400, 410-430 Mhz	GMAD4597A





MOTOROLA and the Stylized M Logo are registered in the U.S. Patent and Trademark Office.  
All other product or service names are the property of their registered owners.  
© Motorola, Inc. 2009. Features and specifications are subject to change without notice.  
TETRAACCESSORIES/BRO-UK (03/09)

For more information please contact your local Motorola Authorised Dealer or Distributor

[www.motorola.com/tetra](http://www.motorola.com/tetra)

Motorola, Ltd. Jays Close, Viabes Industrial Estate,  
Basingstoke, Hampshire, RG22 4PD, UK